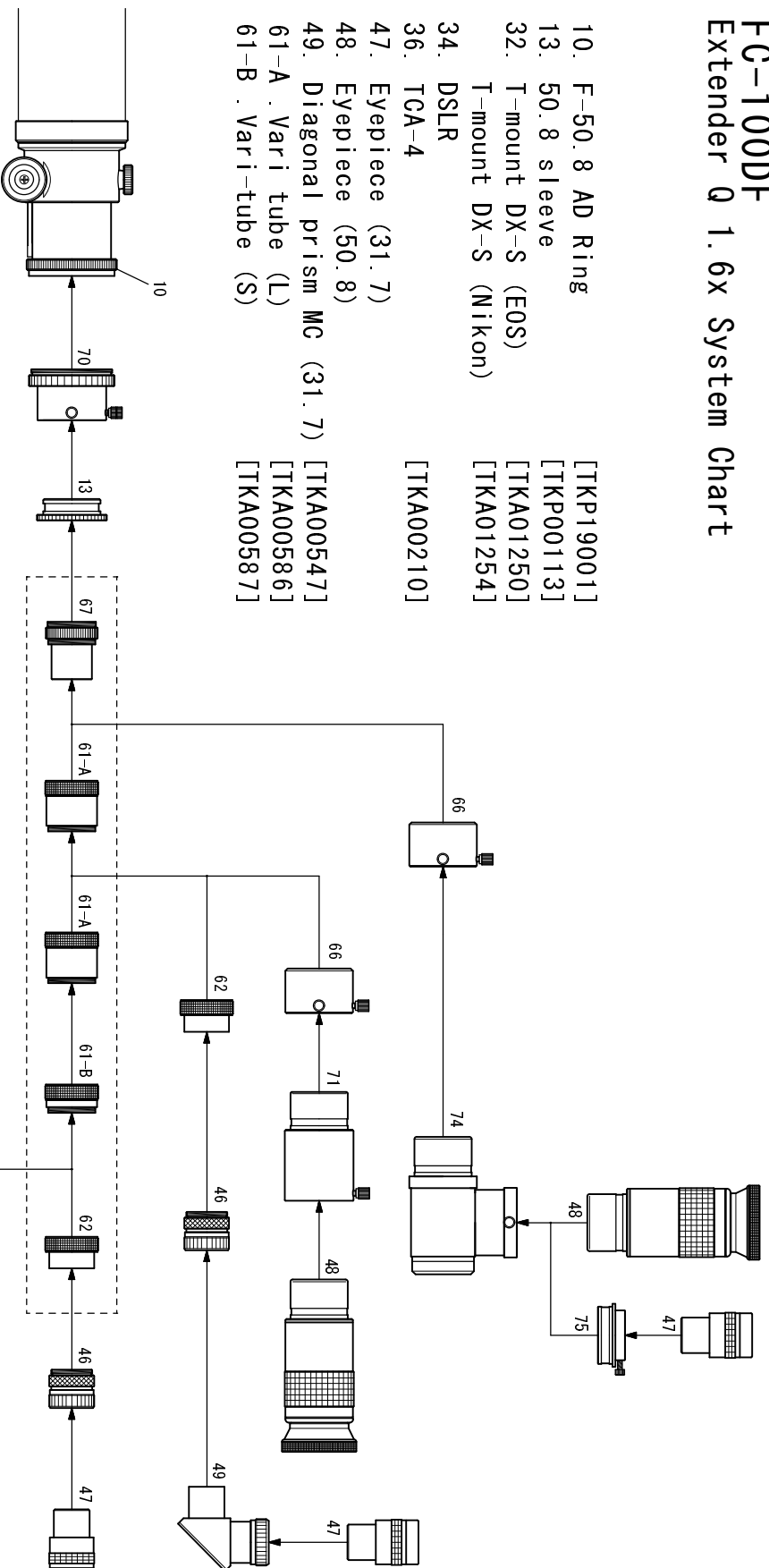


# FC-100DF Extender Q 1.6x System Chart

- 10. F-50.8 AD Ring [TKP19001]
- 13. 50.8 sleeve [TKP00113]
- 32. T-mount DX-S (EOS) [TKA01250]
- T-mount DX-S (Nikon) [TKA01254]
- 34. DSLR [TKA00210]
- 36. TGA-4 [TKA00210]
- 47. Eyepiece (31.7)
- 48. Eyepiece (50.8)
- 49. Diagonal prism MC (31.7) [TKA00547]
- 61-A. Vari tube (L) [TKA00586]
- 61-B. Vari-tube (S) [TKA00587]



- 62. Visual adapter (For EX) [TKA00588]
- 65. EG ring [TKA00590]
- 66. 50.8mm adapter (EX-Q) [TKA00596]
- 67. Extender Q1.6x [TKA00595]
- 70. Eyepiece adapter 50.8 [TKP27110]
- 71. Extension tube [TKP27112]
- 74. Diagonal mirror (50.8) [TKA00543]
- 75. Adapter (DM) (31.7) [TKA00111]

