

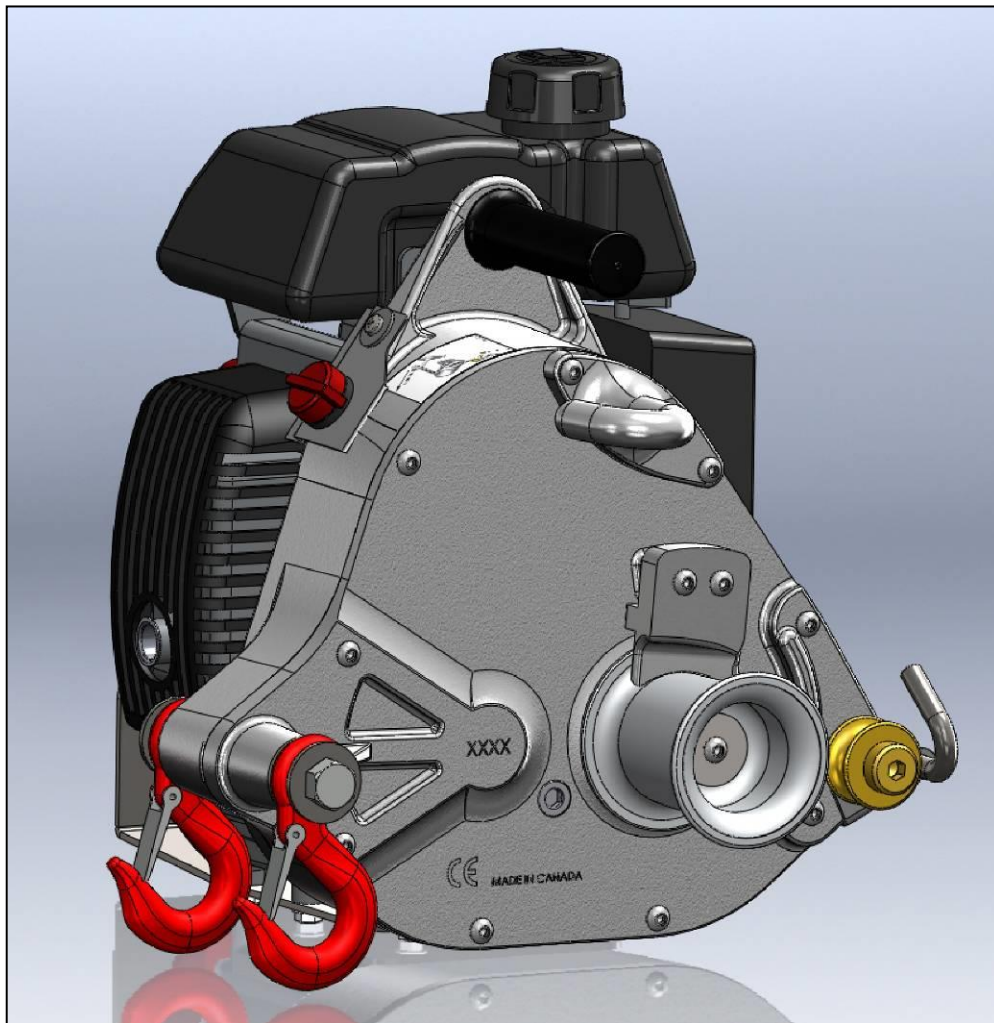


READ
CAREFULLY
BEFORE USE

Portable Winch Co.

PORTABLE CAPSTAN GAS-POWERED PULLING WINCHES™
PCW5000 and PCW5000-HS (High-Speed)

USER MANUAL



Models:

PCW5000 – Maximum pulling capacity (single line): 1000 kg (2200 lb)

PCW5000-HS – Maximum pulling capacity (single line): 350 kg (700 lb)



facebook

www.portablewinch.com

© 2014 Portable Winch Co. - All Rights Reserved
English version

Summary

Introduction – p. 3

1.0 Safety guidelines – p. 3

- 1.1 Safety messages – p. 3
- 1.2 Labels – p. 3
 - 1.2.1 Warning label – p. 3
 - 1.2.2 Sound pressure level label – p. 4
- 1.3 Safety information – p. 4

2.0 Before first use – p. 5

- 2.1 Upon receiving the winch – p. 5
- 2.2 Is the engine ready to work? – p. 5
 - 2.2.1 Engine oil – p. 5
 - 2.2.2 Gas (petrol) – p. 5
 - 2.2.3 Engine start-up – p. 5
 - 2.2.4 Capstan drum – p. 6
 - 2.2.5 Spark arrestor – p. 7

3.0 Winch usage – p. 7

- 3.1 Rope – p. 7
 - 3.1.1 Rope type – p. 7
 - 3.1.2 Rope maintenance – p. 8
- 3.2 At the end of the rope – p. 8
 - 3.2.1 Recommended knots – p. 8
 - 3.2.2 Recommended hooks – p. 9
- 3.3 Winch anchor – p. 9
 - 3.3.1 Using the polyester sling (included with the winch) – p. 9
 - 3.3.2 Using the hitch plate winch anchor for tow balls up to 50 mm (2") diameter – p. 10
 - 3.3.3 Using the winch support plate with square tubing 50 mm (2") – p. 11
 - 3.3.4 Using the winch support plate with Heck-Pack system for 50 mm European balls and winch support plate adaptor – p. 11
 - 3.3.5 Using the tree/pole mount with anchor strap – p. 12
 - 3.3.5.1 With the winch support plate – p. 13
 - 3.3.5.2 With the vertical pull winch support – p. 13
- 3.4 Oil Alert™ system – p. 14
- 3.5 Rope installation – p. 15
 - 3.5.1 Rope – p. 15
 - 3.5.2 Pulley – p. 15
 - 3.5.3 Direction – p. 15
 - 3.5.4 On a hill – p. 15
- 3.6 Pulling a load – p. 15
 - 3.6.1 Wrapping the rope on the capstan drum – p. 16
 - 3.6.2 Winching – p. 16
 - 3.6.2.1 If the rope slips – p. 16
 - 3.6.2.2 To "rock" the load – p. 17
 - 3.6.2.3 How to pause while winching – p. 17
 - 3.6.2.4 How to maintain a load without releasing the tension – p. 17
 - 3.6.2.5 How to resume winching – p. 17
 - 3.6.2.6 If you must keep tension on the rope at start-up – p. 18
 - 3.6.2.7 If your rope is too short – p. 18
 - 3.6.3 Stopping the winch – p. 18

4.0 Maintenance – p. 19

- 4.1 Cleaning – p. 19
- 4.2 Lubrication – p. 19
- 4.3 Honda engine – p. 19
- 4.4 Storage – p. 19
- 4.5 Spark arrestor – p. 19

5.0 Complementary information – p. 20

- 5.1 Accessories – p. 20
- 5.2 Warranty – p. 20
- 5.3 Serial number localization – p. 20
- 5.4 CE Declaration of conformity – p. 21
- 5.5 Exploded view and parts list – p. 22
- 5.6 Technical data – p. 24
 - 5.6.1 Noise emissions – p. 24
- 5.7 Manufacturer – p. 24

Introduction

Portable Winch Co. wishes to thank you for purchasing a *Portable Capstan Winch™*. This manual was written to help you make the best use of your new winch and to use it in the most secure way. **READ IT CAREFULLY BEFORE USING THE WINCH.** For any problems or questions please refer to an authorized Portable Winch Co. dealer or contact us directly.

1.0 Safety guidelines

The *Portable Capstan Winches™* are designed to pull **non-rolling objects**, usually at a plus or minus 45 degree angle from the horizontal. The use of a pulling device implies serious risks of injury, property damage or even death. **Do not underestimate its potential danger.**

1.1 Safety messages

Your safety and the safety of others are very important. You will find important safety messages in this manual. **Read them carefully.**

These security messages are warning you of potential injuries to either you or others. Every safety message is preceded by a warning symbol and one of the following terms: DANGER, WARNING or CAUTION.

These indicator words mean:

DANGER You WILL be MORTALLY or SEVERELY INJURED if you do not follow these instructions.

WARNING You COULD be MORTALLY or SEVERELY INJURED if you do not follow these instructions.

CAUTION You COULD be INJURED if you do not follow these instructions.

1.2 Labels

1.2.1 Warning label

The warning label is positioned on the right side of the winch housing. See all four icons in figure 1.

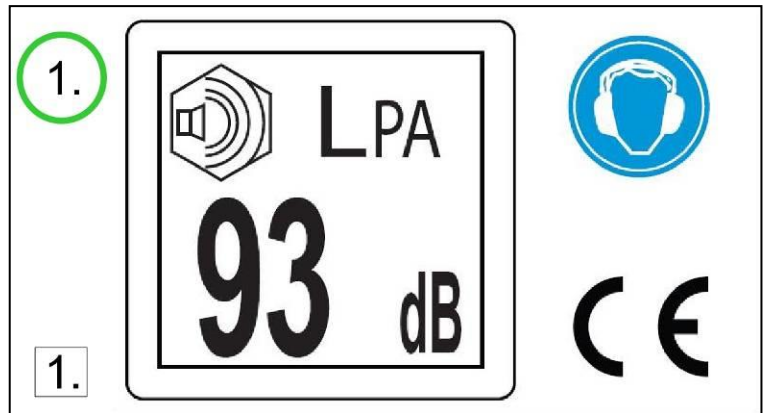
1. Read this instruction manual and the Honda engine user's manual prior to using the winch.
2. Only use low-stretch rope.
Minimum diameter: 10 mm (3/8"). Maximum diameter: 16 mm (5/8").
3. Never place your hands near the drum while the engine is running.
4. Never use the winch for lifting people.



1.2.2 Sound pressure level label

The sound pressure level label is also positioned on the right side of the winch housing (figure 1). The meaning of the icon in figure 1 to the side is:

1. The guaranteed measured sound pressure level (LpA) at the operator's position is 93 dB. We recommend wearing hearing protection when using your *Portable Capstan Winch™*.



1.3 Safety information

⚠ WARNING DO NOT LET CHILDREN USE THE *PORTABLE CAPSTAN WINCH™*. KEEP CHILDREN AND ANIMALS AWAY FROM THE WORK AREA.

⚠ WARNING NEVER LET SOMEONE WITHOUT TRAINING USE THE *PORTABLE CAPSTAN WINCH™*. MAKE SURE THE USER KNOWS ABOUT THE SAFETY AND USAGE PROCEDURES AND HAS READ THIS MANUAL AND THE HONDA ENGINE USER MANUAL.

⚠ WARNING INFORM ALL USERS OF THE SAFETY GUIDELINES AND USAGE PROCEDURES.

⚠ WARNING FAMILIARIZE YOURSELF WITH THE PRODUCT AND THE SAFETY GUIDELINES BEFORE WORKING WITH THE *PORTABLE CAPSTAN WINCH™*.

⚠ WARNING MAKE SURE THAT YOUR CLOTHES ARE NOT GOING TO GET CAUGHT IN THE *PORTABLE CAPSTAN WINCH™* MOBILE PARTS.

⚠ DANGER THE EXHAUST GAS CONTAINS TOXIC CARBON MONOXIDE. NEVER RUN THE ENGINE IN AN ENCLOSED AREA WITHOUT PROPER VENTILATION.

⚠ CAUTION REPLACE ANY SAFETY LABELS THAT ARE DAMAGED, ILLEGIBLE OR MISSING.

⚠ WARNING NEVER PUT YOUR HANDS ON THE CAPSTAN DRUM, NEAR THE ROPE GUIDE OR THE ROPE ENTRY PULLEY WHEN THE ENGINE IS RUNNING.

⚠ WARNING ALWAYS KEEP BYSTANDERS OUTSIDE THE WORKING AREA.

⚠ DANGER NEVER PULL ROLLING OBJECTS THAT MIGHT ROLL OUT OF YOUR CONTROL.

⚠ WARNING THE *PORTABLE CAPSTAN WINCH™* IS NOT INTENDED FOR LIFTING PURPOSES.

⚠ WARNING NEVER USE THE *PORTABLE CAPSTAN WINCH™* TO LIFT PEOPLE.

⚠ CAUTION ALWAYS WEAR GLOVES.

⚠ CAUTION WE RECOMMEND WEARING HEARING PROTECTION.

⚠ CAUTION DO NOT TOUCH THE CAPSTAN DRUM IMMEDIATELY AFTER OPERATION AS IT WILL GET HOT AND CAN BURN BARE SKIN.

2.0 Before first use

2.1 Upon receiving the winch

Inspect the box to detect any apparent damage. If there is damage or parts are missing, inform the carrier immediately.

2.2 Is the engine ready to work?

2.2.1 Engine oil

Fill the Honda engine with a maximum of 0.25 liters of SAE 10W-30 API SJ oil. For special usage or conditions such as extreme weather, refer to page 7 of the Honda engine user manual. Check the oil level on a horizontal surface. The oil level should be up to the edge of the opening.

2.2.2 Gas (petrol)

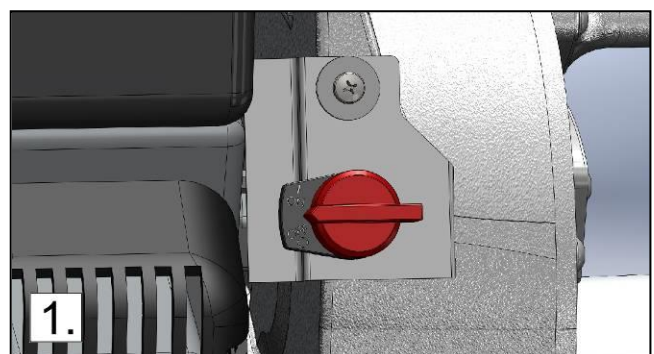
Fill the gas (petrol) tank with **UNLEADED PETROL**. Do not use an oil/gas (petrol) mixture; your *Portable Capstan Winch™* is equipped with a 4-stroke engine. Refer to page 7 of the Honda engine user manual.

2.2.3 Engine start-up

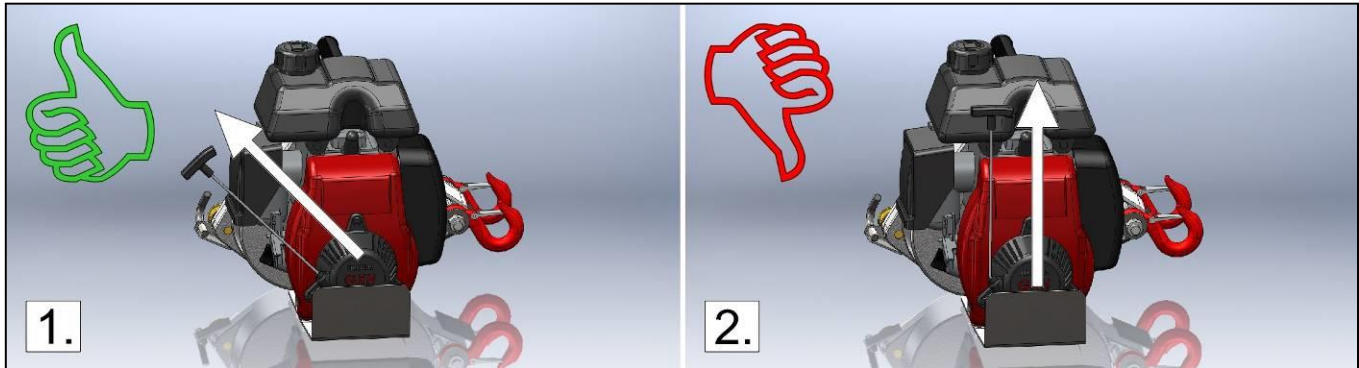
Refer to page 3 of the Honda engine user manual for start-up instructions.

FIRST USE: LET THE ENGINE RUN FIVE (5) MINUTES ON IDLE BEFORE FIRST PULL.

The engine on-off switch is located on the winch housing, to the left of the handle (figure 1).



Make sure to pull on the recoil starter in the axis of the rope outlet (figure 1 below). If you pull vertically (figure 2 below), the friction of the rope on the plastic cover could damage the rope and/or the cover.



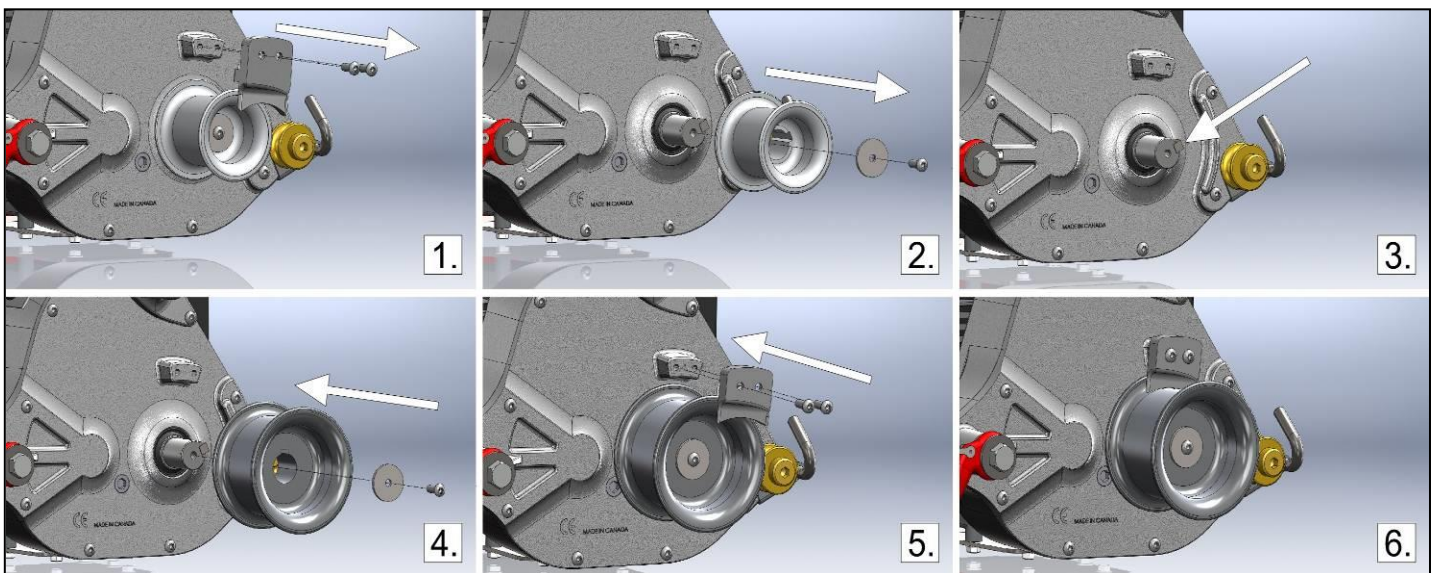
2.2.4 Capstan drum

Your *Portable Capstan Winch™* is equipped with either a 57 mm (2-1/4") or 85 mm (3-3/8") diameter capstan drum.

If you wish to change the drum, follow these simple installation steps. All bolts require a 4 mm (5/32") hex wrench, included with your winch manual.

- 1) Remove the rope guide (figure 1);
- 2) Remove the bolt located at the end of the drum shaft (figure 2). Remove the original drum from the shaft (figure 2). If necessary, you may push it forward with two screwdrivers;
- 3) Make sure that the shaft key stays in place (figure 3);
- 4) Install the bolt and washer and slide the new drum onto the drive shaft (figure 4);
- 5) Install the rope guide (included with the new drum) using the two (2) bolts (figure 5).

IMPORTANT: Make sure that the rope guide is not in contact with the capstan drum.



2.2.5 Spark arrestor

In certain areas, it is forbidden to use a gas (petrol) engine without a spark arrestor. Check local regulations. An optional spark arrestor is available from Portable Winch Co. and/or *Honda Power Products* dealers.

Installation:

- 1) Insert the spark arrestor into the exhaust tube. Make sure the holes are aligned (figure 1);
- 2) Lightly fasten the provided metal screw with the appropriate screwdriver (figure 2).



Refer to page 10 of the Honda engine user manual for the spark arrestor cleaning instructions.

- Portable Winch part number: PCA-1151
- Honda part number: 350-2M7-801

3.0 Winch usage

⚠ WARNING MOST WINCHING SITUATIONS PRESENT **POTENTIAL DANGERS!**

3.1 Rope

⚠ WARNING STAY OUT OF THE WINCH LINE'S PATH.

3.1.1 Rope type

Use only **low stretch** rope. We recommend using double-braided polyester rope with a minimum diameter of 10 mm (3/8"). Maximum rope diameter is 16 mm (5/8"). For most situations, we recommend using 12 mm (1/2") double-braid polyester rope. Please contact us regarding the suitability of other rope types.

⚠ WARNING DO NOT USE 3-STRAND POLYPROPYLENE YELLOW ROPE!

⚠ Polypropylene and polyethylene ropes are dangerous for winching because of their great elasticity and low melt point.

⚠ Make sure the rope is not damaged and that it offers an adequate resistance to pull the load.

⚠ WARNING STRETCH EQUALS DANGER!

- ⚠ A stretched rope can recoil and cause serious burns as the rope leaves your hand.
- ⚠ All ropes stretch: a longer one more than a shorter one. The more you pull, the more it stretches.
- ⚠ A stretched rope can also move the load in an unpredictable or dangerous way.
- ⚠ A stretched rope can recoil and bring your hand towards the winch causing severe injuries. **NEVER WRAP THE ROPE AROUND YOUR HAND.**

⚠ CAUTION ALWAYS WEAR GLOVES.

3.1.2 Rope maintenance

⚠ CAUTION VISUALLY INSPECT YOUR ROPE BEFORE EACH USAGE. IF IT SHOWS ANY SIGN OF DETERIORATION (CUT STRANDS, EXCESSIVE ABRASION) REPLACE IT.

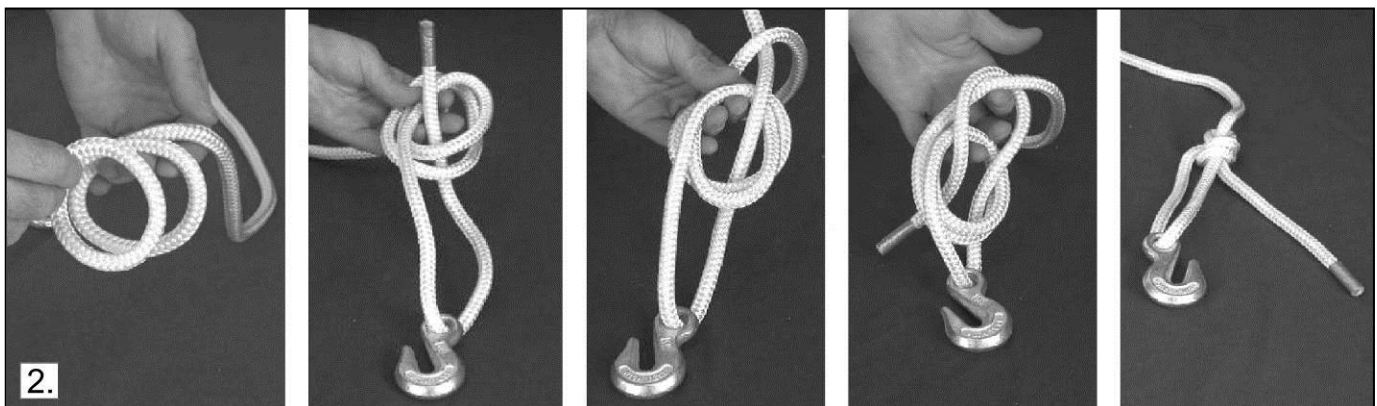
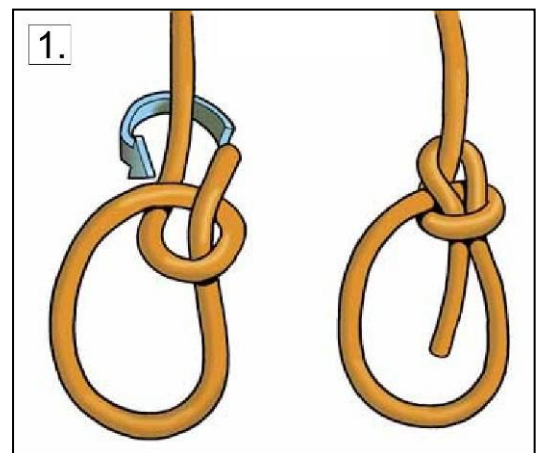
⚠ CAUTION IF YOUR ROPE IS DIRTY, WASH IT. DIRTY ROPES DETERIORATE FASTER AND CAUSE PREMATURE WEAR ON PARTS WHICH ARE IN CONTACT WITH THE ROPE.

3.2 At the end of the rope

3.2.1 Recommended knots

The load must be attached to the end of the rope. Even if a simple knot can do the job, we recommend the installation of a hook with the bowline knot (figure 1 on the right) because it can be easily undone if you need to change the hook. Moreover, it retains about 70% of the rope's capacity while most knots will reduce it by more than 50%.

Even better, the double bowline knot (figure 2) will retain about 75% of your rope's capacity.



3.2.2 Recommended hooks

If you usually pull with a choker chain, use a grab hook (figure 1) or grab hook with latch (figure 2). If you usually pull a sling or a ring, use a safety hook with latch (figure 3) or shackle (figure 4).



3.3 Winch anchor

OPTION 1: In most cases, the winch is anchored to a fixed point using the included polyester sling or with optional anchoring devices and the rope end is tied to the object you want to move. The load is moving towards the winch when you pull the rope.

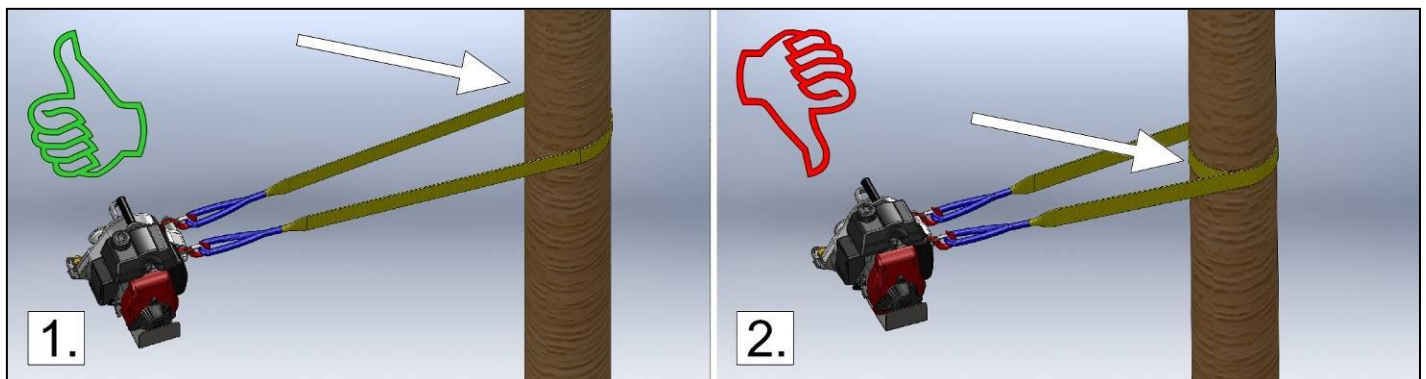
OPTION 2: Alternately, the winch can be anchored to the load that needs to be moved and the rope end is tied to a fixed point. The winch and the load are therefore pulled toward the fixed point where the rope end is tied. This method is useful when you need to guide the load while you operate the winch.

3.3.1 Using the polyester sling (included with the winch)

Wrap the sling around the anchor point. Insert each end of the sling into the safety hooks located on the winch (figure 1 below).

Position the winch in line with the load. When the winch is under tension, it will try to align itself with the load. The friction of the sling against the anchor point could prevent correct alignment. If that is the case, release the tension on the rope and position the sling on the anchor point so that the tension is equally distributed on both winch anchor hooks.

⚠ CAUTION **DON'T DO THIS!** WHEN YOU ANCHOR THE WINCH, MAKE SURE THAT YOU **DO NOT** DO A COMPLETE WRAP AROUND THE ANCHOR POINT (FIGURE 2 BELOW). THIS SET-UP WILL PREVENT PROPER ALIGNMENT OF THE WINCH WITH THE LOAD AND WILL PUT UNEVEN TENSION ON THE WINCH ANCHOR HOOKS.



⚠ CAUTION AVOID INSTALLING THE SLING ON SHARP EDGES THAT MIGHT DAMAGE IT. WHETHER YOU ARE USING A POST, A TREE OR A STUMP, ALWAYS INSTALL THE SLING NEAR THE ANCHOR'S BASE.

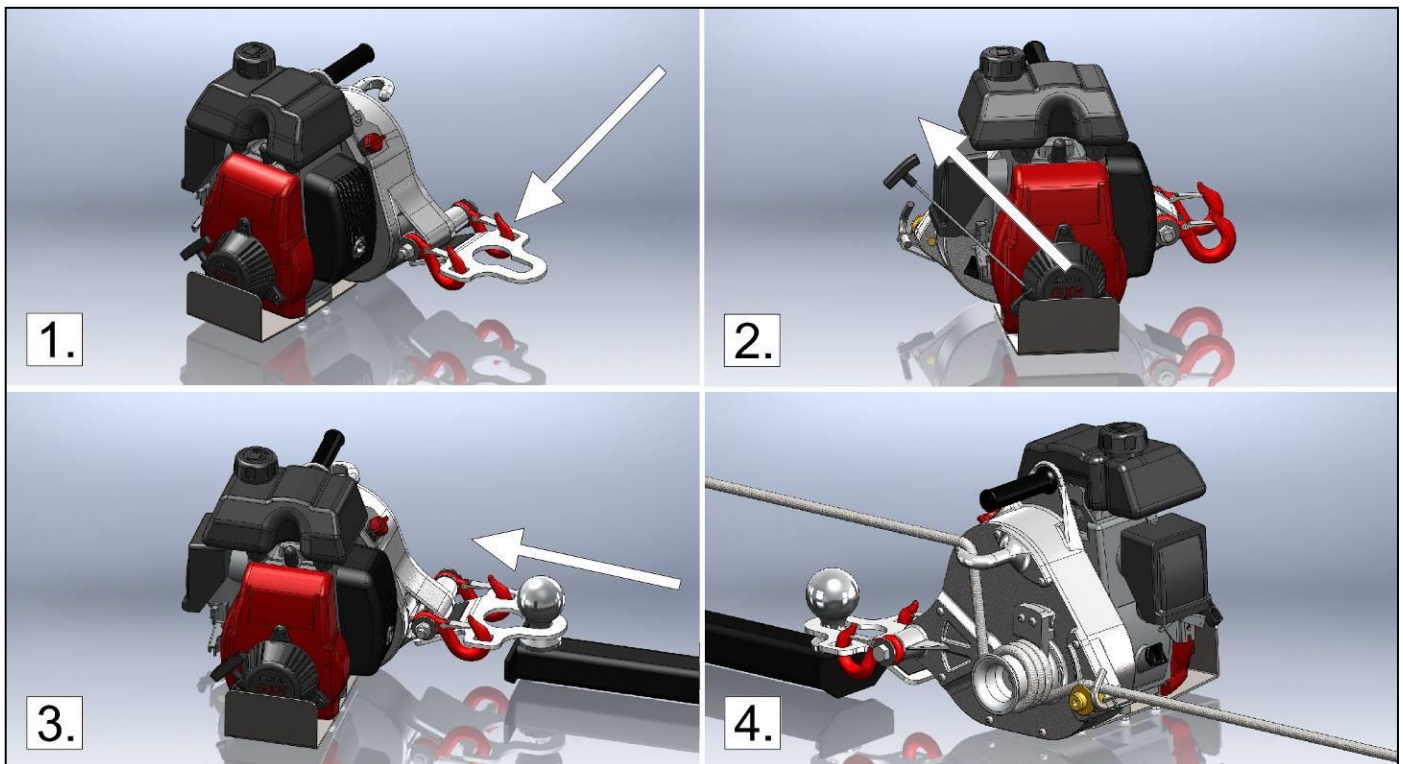
⚠ CAUTION USING A STUMP AS AN ANCHOR POINT MEANS PAYING SPECIAL ATTENTION IN ORDER TO PREVENT THE SLING FROM SLIPPING OVER IT.

⚠ WARNING MAKE SURE THE ANCHOR POINT IS STRONG ENOUGH TO RESIST THE PULL WITHOUT BREAKING OR BEING DAMAGED.

3.3.2 Using the hitch plate winch anchor (PCA-1261) for tow balls up to 50 mm (2") diameter

- 1) Figure 1: Push the safety hooks into the rectangular openings of the hitch plate. The rubber plate must be under the winch;
- 2) Figure 2: Start the winch engine;
- 3) Figure 3: Slide the plate onto the ball hitch and pull the winch forward;
- 4) Figure 4: Wrap the rope around the drum and start winching. The winch will automatically align itself with the load.

NOTE: Do not leave the winch on the hitch with the engine running; the resting position will cause the Oil Alert™ device to turn the Honda engine off (see section 3.4).

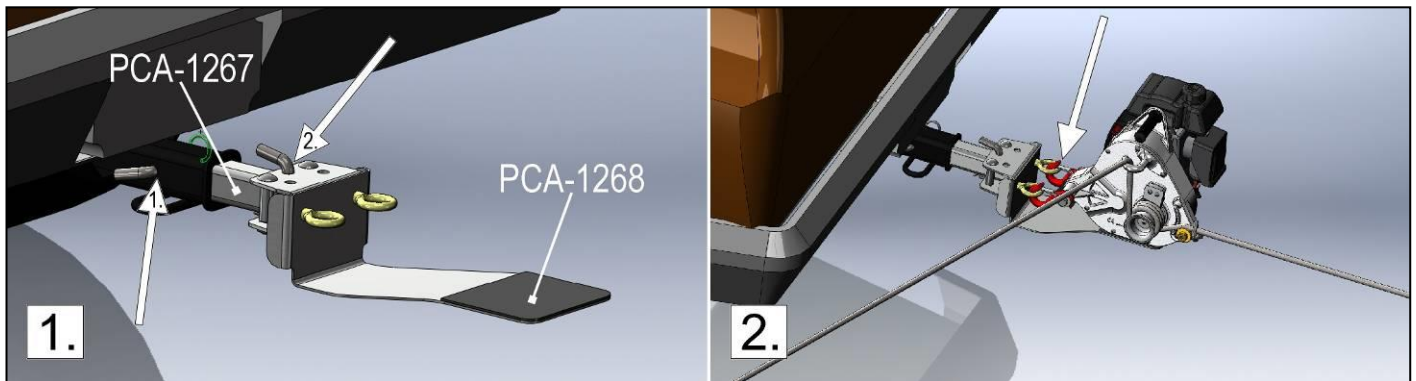


⚠ CAUTION USE THE HITCH PLATE ONLY WITH CATEGORY II BALL HITCH (1500 KG (3300 LB)) OR HIGHER. MAKE SURE THE ANCHORING VEHICLE'S HAND BRAKE IS ON

AND WORKING PROPERLY. POSITION BLOCKS BEHIND THE WHEELS TO PREVENT ROLLBACK.

3.3.3 Using the winch support plate (PCA-1268) with square tubing 50 mm (2") (PCA-1267)

- 1) Figure 1, no. 1: Slide the square tubing (PCA-1267) into the vehicle's receiver and secure it with both the hitch pin and the "R" pin;
- 2) Figure 1, no. 2: Slide the winch support plate (PCA-1268) onto the square tubing and secure it with both the hitch pin and the "R" pin;
Note: Its lateral movement can be adjusted by placing the bolts into the square holes;
- 3) Figure 2: Attach the winch anchor hooks to the eye bolts;
- 4) Figure 2: Wrap the rope around the drum and start winching. The winch will automatically align itself with the load.

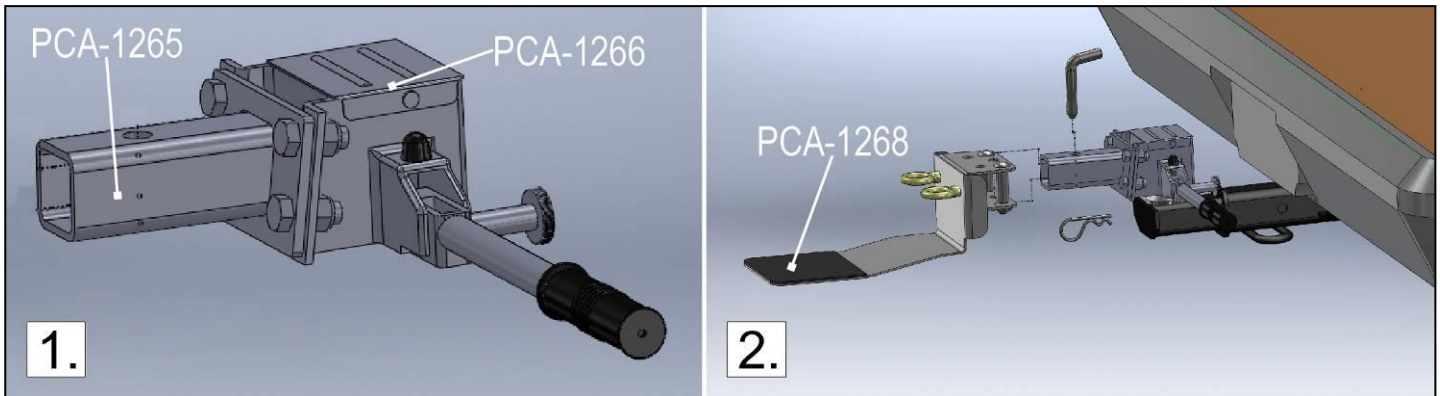


⚠ CAUTION IF YOU NEED TO PULL DOWNWARD, YOU WILL NEED TO INSTALL EITHER A PULLEY OR A ROLLER TO PREVENT DAMAGE TO THE WINCH SUPPORT PLATE.

⚠ CAUTION MAKE SURE THE ANCHORING VEHICLE'S HAND BRAKE IS ON AND WORKING PROPERLY. POSITION BLOCKS BEHIND THE WHEELS TO PREVENT ROLLBACK.

3.3.4 Using the winch support plate (PCA-1268) with Heck-Pack system for 50 mm European balls (PCA-1266) and winch support plate adaptor (PCA-1265)

- 1) Figure 1: Bolt the winch support plate adaptor (PCA-1265) onto the Heck-Pack system (PCA-1266) with the 4 bolts provided;
- 2) Figure 2: Place the Heck-Pack on the ball and clamp it down with the lever;
- 3) Figure 2: Slide the winch support plate (PCA-1268) onto the square tubing and secure it with both the hitch pin and the "R" pin;
Note: Its lateral movement can be adjusted by placing the bolts into the square holes;
- 4) Attach the winch anchor hooks to the eye bolts (as shown in section 3.3.3);
- 5) Wrap the rope around the drum and start winching. The winch will align itself automatically with the load.



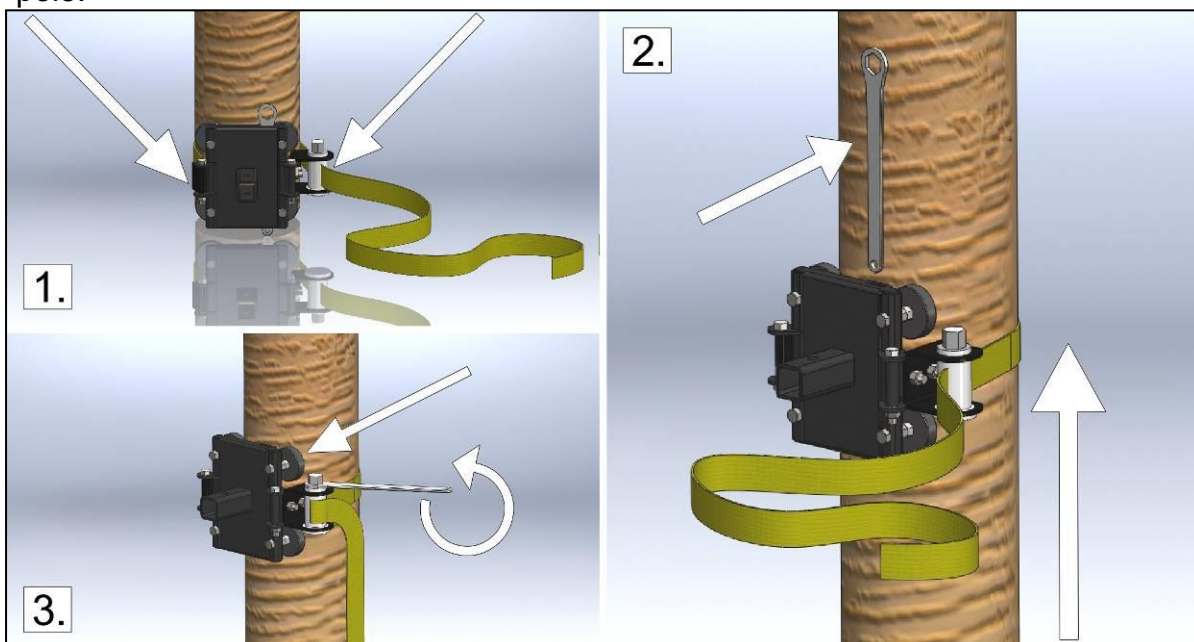
CAUTION IF YOU NEED TO PULL DOWNWARD, YOU WILL NEED TO INSTALL EITHER A PULLEY OR A ROLLER TO PREVENT DAMAGE TO THE WINCH SUPPORT PLATE.

CAUTION MAKE SURE THE ANCHORING VEHICLE'S HAND BRAKE IS ON AND WORKING PROPERLY. POSITION BLOCKS BEHIND THE WHEELS TO PREVENT ROLLBACK.

3.3.5 Using the tree/pole mount with anchor strap (PCA-1263)

The tree/pole mount is intended for use with either the winch support plate (PCA-1268) or the vertical pull winch support (PCA-1264). Therefore, you must first install the tree/pole mount.

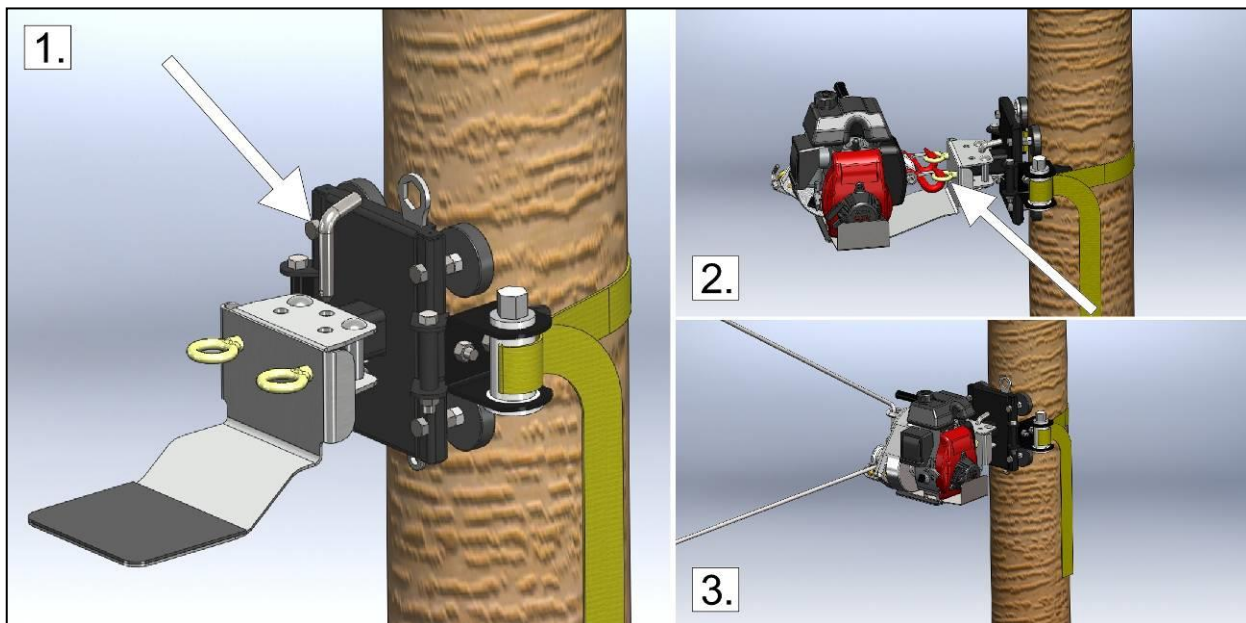
- 1) Figure 1: Place the tree/pole mount at the base of the tree or pole. Insert the sling's hook into the left anchor point; then feed the sling's end through the ratchet system;
- 2) Figure 2: Slide the whole set-up upward to the desired height and remove the supplied wrench;
- 3) Figure 3: Tighten the sling with the wrench while making sure the rubber pads are properly positioned. The pads should provide maximum contact surface with the tree or pole.



3.3.5.1 With the winch support plate (PCA-1268)

After the installation of the tree/pole mount (section 3.3.5), follow these steps:

- 1) Figure 1: Insert the winch support plate onto the square tubing of the tree/pole mount (PCA-1263) and fasten it down with the hitch pin and “R” pin;
- 2) Figure 2: Attach the winch anchor hooks to the eye bolts of the winch support plate;
- 3) Figure 3: Wrap the rope around the drum and start winching. The winch will automatically align itself with the load.



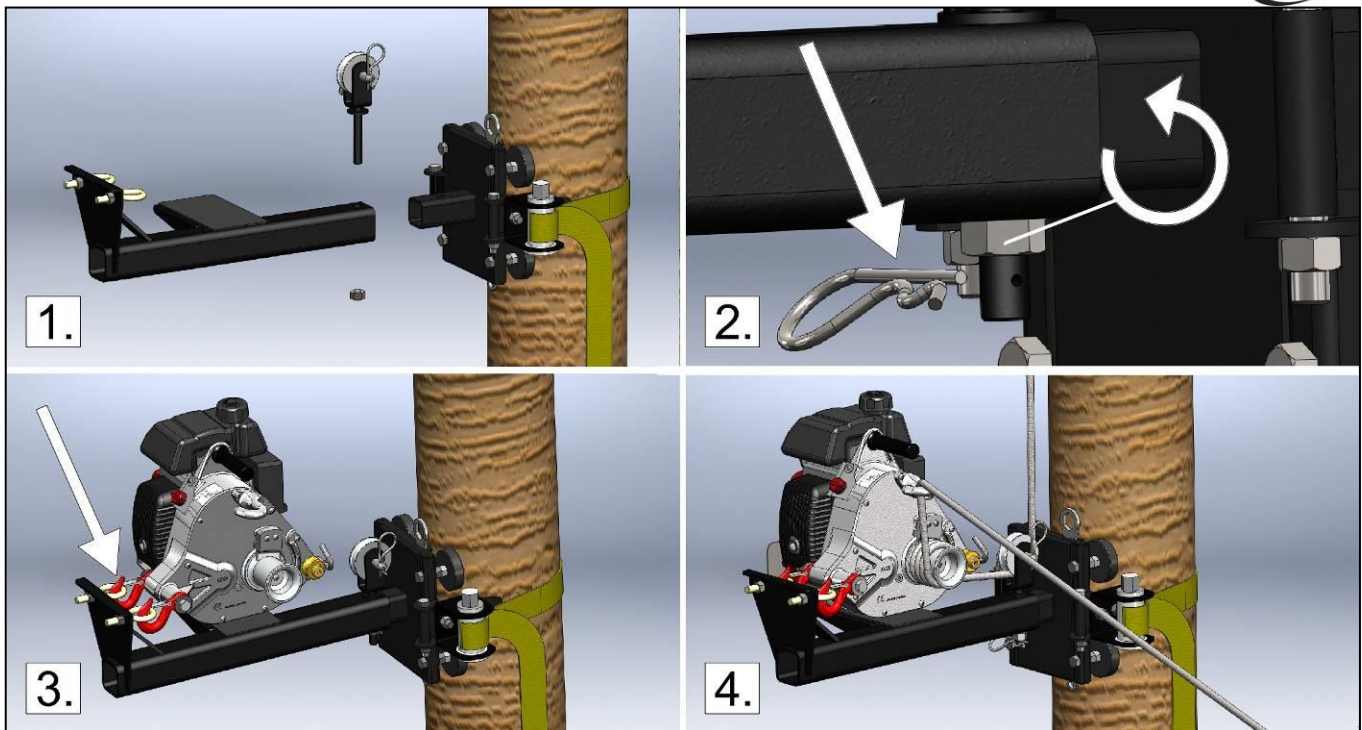
⚠ CAUTION IF YOU NEED TO PULL DOWNWARD, YOU WILL NEED TO INSTALL EITHER A PULLEY OR A ROLLER TO PREVENT DAMAGE TO THE WINCH SUPPORT PLATE.

⚠ WARNING AFTER PULLING FOR A FEW SECONDS WITH THE TREE/POLE MOUNT, RELEASE THE TENSION FROM THE *PORTABLE CAPSTAN WINCH™*. CHECK THE SOLIDITY OF THE INSTALLATION AND TIGHTEN THE SLING AGAIN.

3.3.5.2 With the vertical pull winch support (PCA-1264)

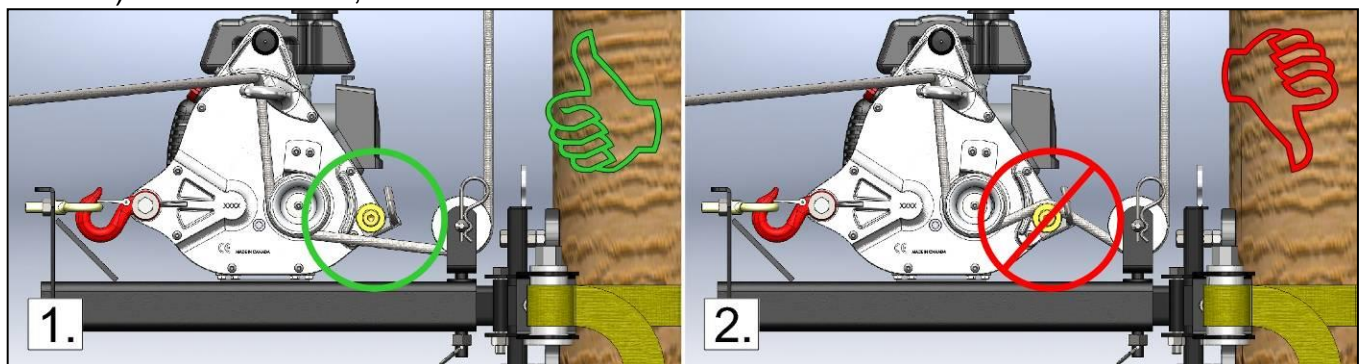
After the installation of the tree/pole mount (section 3.3.5), follow these steps:

- 1) Figure 1: Insert the vertical pull winch support onto the square tubing of the tree/pole mount (PCA-1263), align the holes and insert the pulley;
- 2) Figure 2: Tighten the nut with your fingers until it touches the support. Then reinforce it with the “R” pin;
- 3) Figure 3: Attach the winch anchor hooks to the eye bolts of the vertical pull winch support;
- 4) Figure 4: Wrap the rope around the drum, align the vertical support pulley with the rope axis and start to pull;



⚠ WARNING THE *PORTABLE CAPSTAN WINCH™* IS NOT INTENDED FOR LIFTING PURPOSES.

⚠ WARNING IMPORTANT: DON'T GO OVER THE ROPE ENTRY PULLEY OF THE WINCH WITH THE ROPE (FIGURE 2 BELOW) AS IT WILL CREATE FRICTION AND WILL REDUCE PULLING CAPACITY. **GO UNDER THE ROPE ENTRY PULLEY** (FIGURE 1 BELOW). IN THIS CASE, THE ROPE ENTRY PULLEY OF THE WINCH WILL NOT BE USED.



⚠ WARNING IMPORTANT: AFTER PULLING FOR A FEW SECONDS, RELEASE THE TENSION, CHECK THE SOLIDITY OF THE INSTALLATION AND TIGHTEN THE SLING OF THE TREE/POLE MOUNT AGAIN.

3.4 Oil Alert™ system

The GXH-50 Honda engine is equipped with an Oil Alert™ system that automatically turns off the ignition when the oil level goes below a safe level. The Oil Alert™ system also turns off the ignition when the winch is operating at an angle greater than 20 degrees (± 4 degrees). Make sure that your set-up keeps the winch at a relatively horizontal level while winching and idling.

3.5 Rope installation

⚠ WARNING USING COMMON SENSE WHILE INSTALLING THE ROPE IS THE KEY TO A SECURE WINCH USAGE.

While the great variety of situations encountered when winching prevents us from providing specific instructions, you need to consider the following points:

3.5.1 Rope

Use a low stretch rope, in good condition, with a minimum diameter of 10 mm (3/8") and a maximum diameter of 16 mm (5/8"), with good knots. We strongly suggest the bowline knot (see section 3.2.1). Use pulleys to redirect the rope and to multiply the pulling capacity when the load is near or over the pulling capacity of the winch.

3.5.2 Pulley

Using a pulley at some distance in front of the winch offers many advantages:

- Pulling angle 'lifts' the load and reduces friction;
- The winch maintains a relatively horizontal position;
- The winch and operator are away from the load's path.

3.5.3 Direction

Install the rope in such a way that it does not rub against other objects. Try to set-up the rope so that the front of the load is slightly lifted. Do not pull downwards or through an obstruction.



Generally, if the rope touches the ground while pulling, your installation is incorrect.

3.5.4 On a hill

⚠ WARNING DO NOT PULL A LOAD DIRECTLY TOWARD THE WINCH IN A DOWNWARD SLOPE SINCE IT COULD SLIDE WITHOUT YOU BEING ABLE TO STOP IT. IN THAT SITUATION, USE A PULLEY AT THE BOTTOM OF THE HILL AND POSITION THE WINCH OUT OF THE LOAD'S PATH.

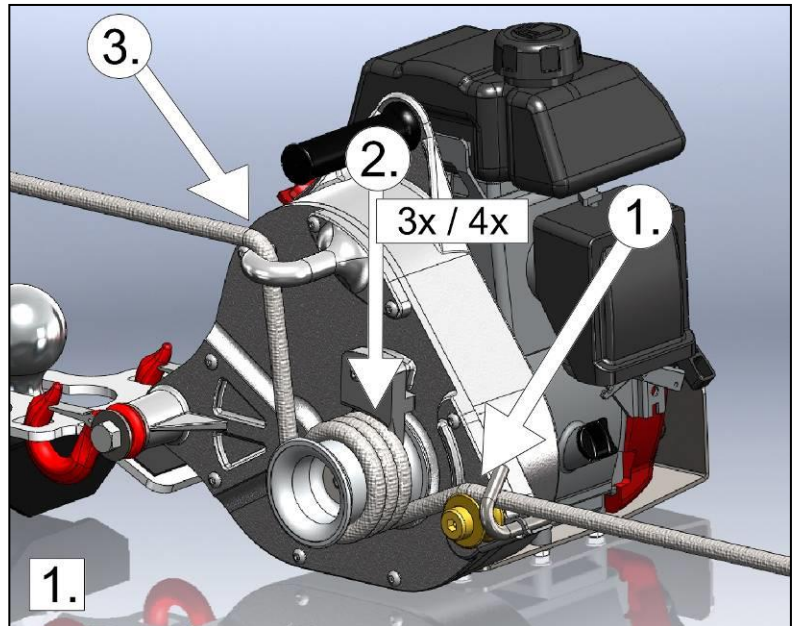
3.6 Pulling a load

⚠ WARNING CHECK WINCH POSITION, ROPE CONDITION AND SOLIDITY OF THE ANCHOR POINT, KNOTS, CARABINERS OR SHACKLES IN ORDER TO PREVENT INJURIES OR MATERIAL DAMAGE.

3.6.1 Wrapping the rope on the capstan drum

⚠ WARNING NEVER PUT YOUR HANDS ON THE CAPSTAN DRUM, THE ROPE GUIDE OR THE ROPE ENTRY PULLEY WHEN THE ENGINE IS RUNNING.

- 1) Start the engine and let it idle for 30 seconds to warm up;
- 2) Run the rope **OVER THE ROPE KEEPER** and the rope entry pulley and under the drum (figure 1, no. 1);
- 3) Wrap the rope around the drum (3 or 4 turns) (figure 1, no. 2);
- 4) Pull the rope through the rope hook (figure 1, no. 3);
- 5) Stand about 1 m (3') from the winch and pull gently and horizontally on the rope until you feel tension rising on the rope;
- 6) Look at your set-up to make sure that the winch anchor and the rope entry pulley are aligned with the rope;
- 7) Check that the rope does not rub against objects along the path;
- 8) Pull the throttle up and start winching.



3.6.2 Winching

While winching, position yourself away from the winch in order to see both the winch and the load. Pull **HORIZONTALLY** on the rope. The tension you exert on the rope will keep the winch level. Do not operate with the winch tilted or the Oil Alert™ will kick in.

⚠ DANGER DO NOT WRAP THE ROPE AROUND YOUR HANDS OR YOUR BODY! ALSO BEWARE OF THE ROPE ACCUMULATING IN FRONT OF YOU; MAKE SURE YOUR FEET DO NOT GET TANGLED IN IT.

⚠ WARNING CAREFULLY WATCH THE CAPSTAN DRUM DURING THE OPERATION AND MAKE SURE THAT THE ROPE DOES NOT CROSS OVER ON IT. IF IT HAPPENS, RELEASE THE TENSION ON THE ROPE AND STOP THE ENGINE WHILE UNDOING THE CROSS OVER.

3.6.2.1 If the rope slips

If the rope slips on the drum while winching, add a fourth wrap of rope around the drum. When the winch reaches its maximum capacity, the engine stalls. You will then have to modify your set-up (add pulleys) or "rock" the load (see section 3.6.2.2).

3.6.2.2 To "rock" the load

Pull the rope until the engine comes close to stalling and release the tension. Pull again on the rope to create tension and repeat as needed.

⚠ CAUTION BE CAREFUL WITH THIS METHOD SINCE IT GENERATES HEAT AND CAN WEAR THE ROPE QUICKLY.

⚠ WARNING IF THE WINCH IS PULLING THE ROPE BUT THE LOAD DOES NOT MOVE (OFTEN THE CASE WHEN USING A VERY LONG ROPE), IT IS BECAUSE YOUR ROPE IS STRETCHING AND COULD REACH ITS BREAKING POINT AND RECOIL TOWARDS YOU. SLOWLY RELEASE THE TENSION ON THE ROPE BUT BEWARE OF THE ACCUMULATED TENSION. YOU COULD GET BURNED FROM THE ROPE LEAVING YOUR HANDS QUICKLY OR BE PULLED TOWARDS THE WINCH.

3.6.2.3 How to pause while winching

SLOWLY release the tension on the rope and let it slip on the capstan drum.

⚠ CAUTION DO NOT LET THE ROPE SLIP FOR MORE THAN A FEW SECONDS ON THE DRUM WHILE IN TENSION – THE HEAT CREATED BY THE FRICTION COULD MELT OR DAMAGE THE ROPE.

3.6.2.4 How to maintain a load without releasing tension

You may maintain tension on the end of the rope either by holding it or attaching it:

- 1) Shut the engine off;
- 2) Wrap the rope twice around the rope hook to relieve tension from your hands (figure 1);
- 3) Tie two half-knots around the rope hook (figure 2).

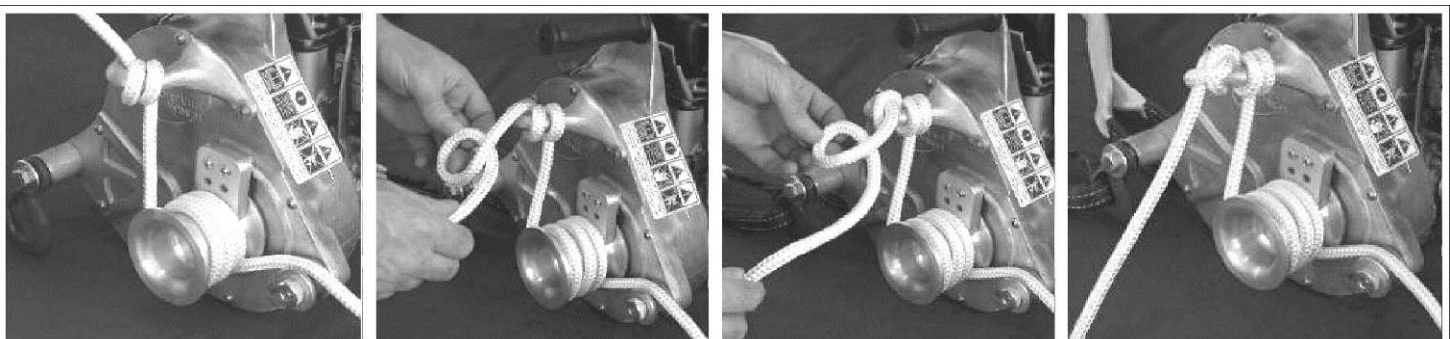


Figure 1

Figure 2

3.6.2.5 How to resume winching

You must release some tension before restarting the winch engine. First, untie the two half-knots. Let some of the rope slip through your hands to release some tension. While holding the rope with one hand, start the engine by pulling on the crank and pull the throttle up. You can now resume winching.

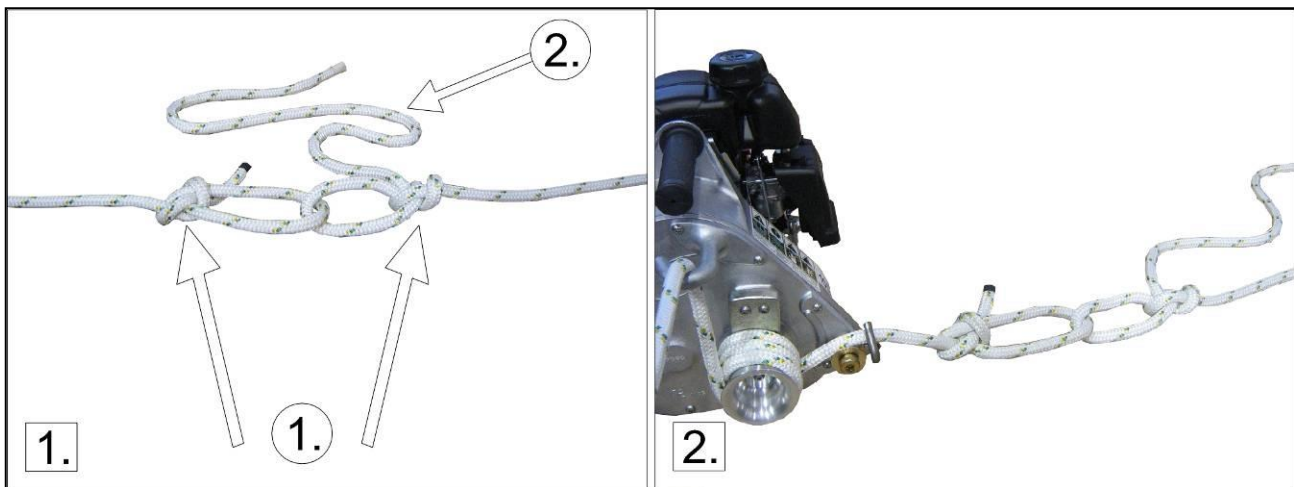
3.6.2.6 If you must keep tension on the rope at start-up

You can install a rope grab device or a *Prussik* knot attached to your anchor point in order to keep tension on the rope.

3.6.2.7 If your rope is too short

If your rope is too short, you will have to link two ropes together:

- 1) Figure 1, no. 1: Using the bowline knot (section 3.2.1), link your two ropes together;
- 2) Figure 1, no. 2: **IMPORTANT**: Leave about 1 m (3') of rope tailing out of the knot on the rope holding the load. You will need it to resume winching after undoing the knots;
- 3) Figure 2: **▲ WARNING** Stop the winch **BEFORE** the knot reaches the rope entry pulley of the winch since it **CANNOT GO THROUGH** it;
- 4) Release tension off the rope. If necessary, attach the load to a fixed object;
- 5) Undo the knots and use the remaining length (1 m or 3') to wrap around the capstan drum and start winching again.



3.6.3 Stopping the winch

- 1) Release tension gradually to lower the winch gently to the ground;
- 2) Bring the throttle down to idle;
- 3) Turn the ignition switch off.

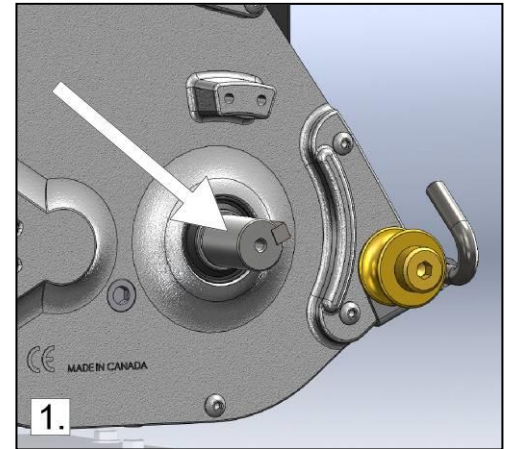
4.0 Maintenance

4.1 Cleaning

Once your job is done, you should clean and dry your winch.

⚠ CAUTION INSPECT THE WINCH, HOOKS, ROPE, KNOTS AND POLYESTER SLING TO DETECT ANY DAMAGE OR SIGNS OF WEAR.

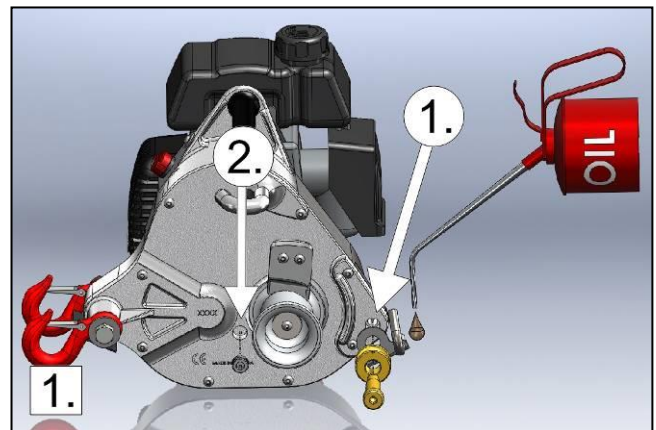
Periodically, remove the capstan drum (section 2.2.4) and clean around the shaft (figure 1). Accumulated debris can damage the shaft seal. Apply oil to prevent corrosion.



4.2 Lubrication

The rope entry pulley (figure 1, no 1) must turn freely. Lubricate it regularly with light oil. Dirt and grime lodged between the pulley and the shaft may prevent it from turning freely. If required, disassemble it to clean the shaft. Use an 8 mm hex key.

The gearbox is lubricated at the factory and should not require additional lubrication or maintenance. If there is the appearance of a leak, check the oil level by placing the winch on a level surface and remove the oil plug (figure 1, no 2). Use an 8 mm hex key.



Lean it toward you; some oil should leak out of the hole. If needed, you can add type SAE80W90EP gear box oil.

4.3 Honda engine

Maintain the engine according to the instructions found in the provided Honda engine user manual.

4.4 Storage

Always store your *Portable Capstan Winch™* seated on its protection plate. Refer to the Honda engine user manual for engine storage instructions.

4.5 Spark arrestor

If your *Portable Capstan Winch™* is equipped with the optional spark arrestor (PCA-1151, sold separately), you must clean it every hundred (100) hours to keep it running properly. Refer to the Honda engine user manual for cleaning instructions.

5.0 Complementary information

5.1 Accessories

A complete line of accessories is available. You will find the list on our website at www.portablewinch.com.

5.2 Warranty

Portable Winch Co. products are warranted against defects in materials and workmanship while owned by the "*original purchaser*" as defined below.

The "*original purchaser*" is defined as the party or entity which purchases the winch and/or accessories from an authorized Portable Winch Co. retailer as shown by the original sales receipt. The warranty ownership is transferable, provided the end-user has a copy of the original purchaser's invoice. This warranty does not apply to "*wear parts*" defined as being in contact with the rope while winching.

The PCW5000 and PCW5000-HS *Portable Capstan Winches* are covered as follows:

- Winch components:
 - Private use: Five (5) year warranty (service by Portable Winch Co. and/or its retailers);
 - Commercial use: One (1) year warranty (service by Portable Winch Co. and/or its retailers);
- Engine: The Honda engine is warranted by Honda Motor Corporation and the duration varies according to country and usage. All Honda service centers can repair the winch engine under warranty. Hang on to your proof of purchase (invoice with serial number). It will be used to establish the beginning of the warranty period.

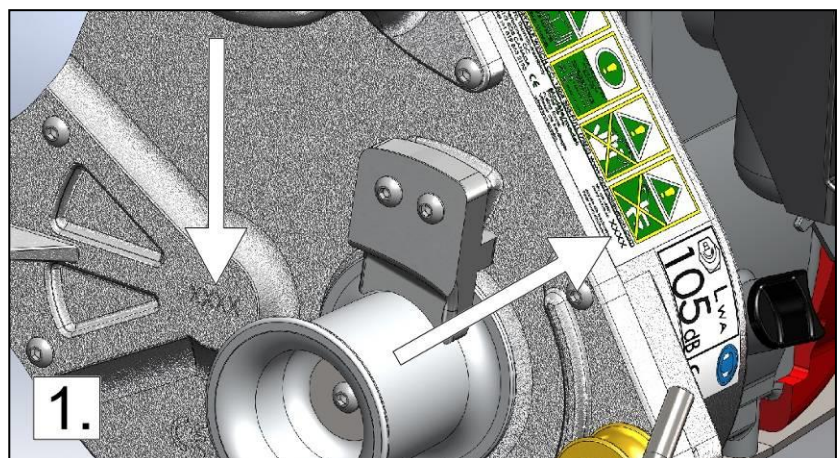
Portable Winch Co. will replace or repair, at its option, any defective product. All other *Portable Winch™* accessories are covered by a complete one (1) year warranty. Please refer to the Portable Winch Co. complete warranty on www.portablewinch.com if you have any questions.

Extend your warranty for free

We would like to thank you for your purchase. By doing so we would like to offer you ONE (1) EXTRA YEAR WARRANTY for FREE! It's simple, simply register your winch on www.portablewinch.com or by phone at 1-888-388-PULL (7855) or +1 819 563-2193.

5.3 Serial number localization

The winch serial number is indicated on the safety warning label located on the right side of the winch housing and is also engraved on the cover of the winch, to the left of the capstan drum.



5.4 CE Declaration of conformity



DECLARATION OF CONFORMITY

We
of

PORTABLE WINCH CO.
1170 Thomas-Tremblay St.
Sherbrooke, QC J1G 5G5
CANADA
Tel: +1 819 563-2193
www.portablewinch.com

Declare that these products

Portable Capstan Winches
Models PCW5000 and PCW5000-HS

For intended purpose

Pulling non-rolling objects at angles $\pm 45^\circ$ from
horizontal plane

Fulfills all relevant provisions of Machinery Directive 2006/42/EC

And also fulfills all relevant provisions of

- 2004/108/EC Electromagnetic Compatibility Directive

Mr. Gerold Vonblon,
Landstrasse 28, A-6714 Nuziders
Is authorized to compile the technical file.

Signed by:

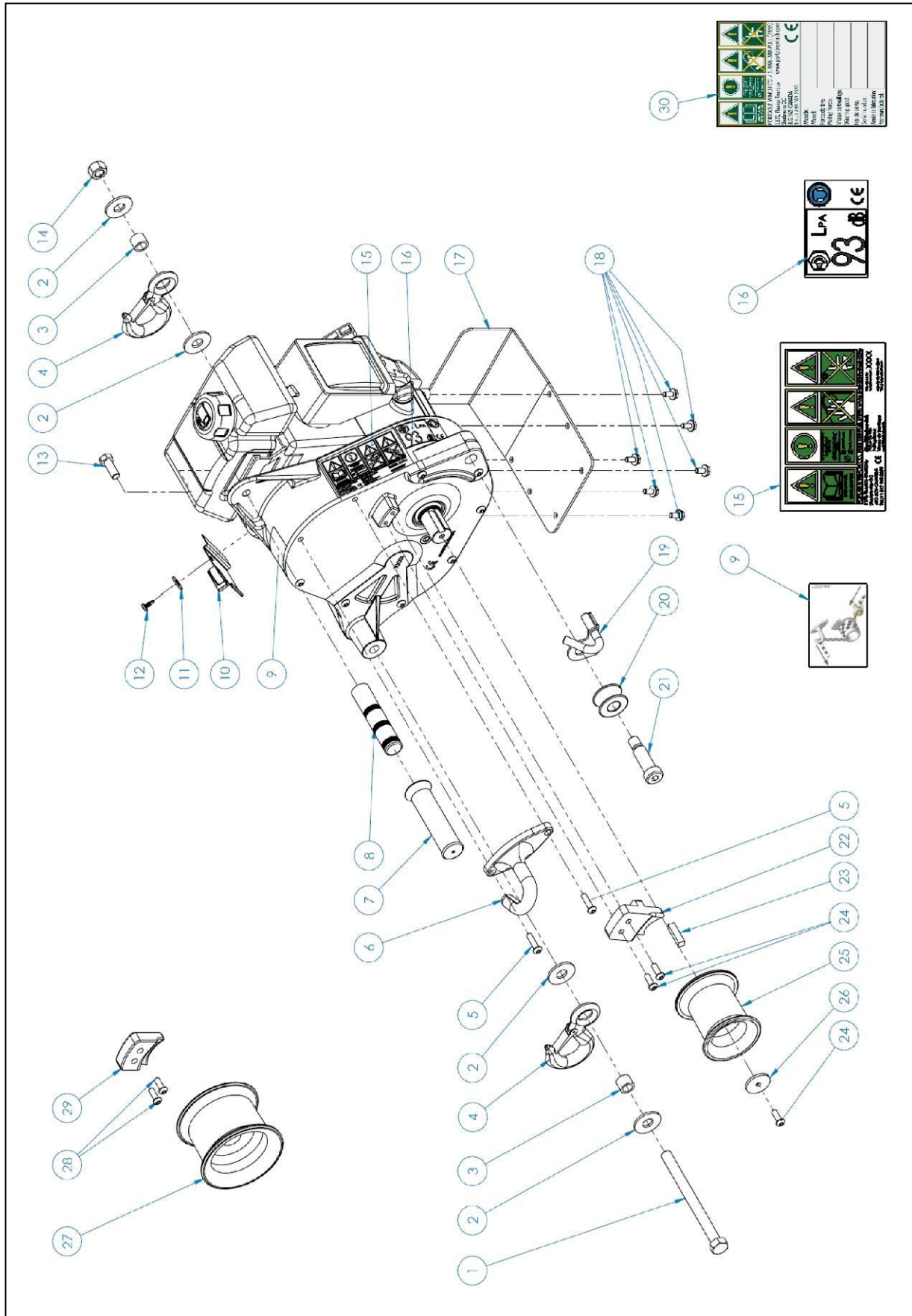


Name: Pierre Roy
Position: Managing Director



Done at Sherbrooke, QC, Canada
On April 18th, 2012.

5.5 Exploded view and parts list



ITEM NO.	PART NUMBER	DESCRIPTION	QTY
1	31-0010	HCS 1/2-13 X 6 - GR5 - ZN	1
2	35-0004	FLAT WASHER 1/2 - ZN	4
3	10-0098	BUSHING FOR SAFETY HOOK	2
4	PCA-1281	SAFETY HOOK 3/4 TON	2
5	31-0024	BHCS 1/4-20 X 1 - SS	6
6	10-0099	ALUMINIUM ROPE EXIT HOOK	1
7	44-0019	VINYL GRIP	1
8	10-0094	WINCH HANDLE	1
9	44-0027	ROPE INSTALLATION LABEL PCW5000	1
10	70-0023	ON/OFF SWITCH WITH SUPPORT PLATE FOR GXH-50 ENGINE	1
11	35-0006	FLAT WASHER 1/4 - ZN	2
12	39-0007	METAL SCREW NO. 10 X 1/2 (PAN HEAD. SQ. DR.)	1
13	31-0019	HCS 3/8-24 X 1 GR5 - ZN	1
14	33-0005	NYLON LOCKNUT 1/2-13 ZN	1
15	44-0020	PCW5000 SERIAL NUMBER AND WARNING LABEL	1
16	44-0023	DECIBEL WARNING 93 dB LABEL	1
17	10-0095	GUARD PLATE PCW5000	1
18	32-0002	HEX FLANGE SERRATED BOLT M6-1 X 12 MM - ZP	6
19	10-0103	ROPE KEEPER	1
20	10-0101	ROPE ENTRY PULLEY	1
21	10-0119	SHOULDER BOLT 5/8 X 1-1/2 - ZN	1
22	10-0100	ROPE GUIDE FOR CAPSTAN DRUM 57 MM	1
23	43-0013	SHAFT KEY FOR CAPSTAN DRUMS 57 MM & 85 MM	1
24	31-0025	BHCS 1/4-20 X 3/4 - SS	6
25	10-0096	CAPSTAN DRUM 57 MM	1
26	10-0102	DRUM RETAINING WASHER	1
27	10-0001	CAPSTAN DRUM 85 MM	1
28	31-0025	BHCS 1/4-20 X 3/4 - SS	2
29	10-0106	ROPE GUIDE FOR CAPSTAN DRUM 85 MM	1
30	44-0001	REPLACEMENT UNIVERSAL SERIAL NUMBER & WARNING LABEL	0

5.6 Technical data

PCW5000 and PCW5000-HS:

- Engine: 4-stroke Honda GXH-50 cc
- Gear box: Aluminum alloy
- Unit weight (dry): 16 kg (35 lb)
- Dimensions (overall): 37,1 cm Length x 36,6 cm Width x 36,6 cm Height (14-5/8" x 14-3/8" x 14-3/8")
- Rope: Low stretch double braided polyester (*not included*) - Unlimited rope length
 - Minimum diameter: 10 mm (3/8")
 - Maximum diameter: 16 mm (5/8")
 - Recommended: 12 - 13 mm (1/2")

PCW5000:

- Gear ratio: 110:1
- Pulling force (according to drum diameter):
 - Installed: 57 mm (2-1/4") drum: 1000 kg (2200 lb)
 - Optional: 85 mm (3-3/8") drum: 635 kg (1400 lb)
- Speed (according to drum diameter):
 - Installed: 57 mm (2-1/4") drum: 12 m/min (40'/min)
 - Optional: 85 mm (3-3/8") drum: 18 m/min (60'/min)

PCW5000-HS:

- Gear ratio: 53:1
- Pulling force (according to drum diameter):
 - Installed: 85 mm (3-3/8") drum: 350 kg (700 lb)
 - Optional: 57 mm (2-1/4") drum: 500 kg (1100 lb)
- Speed (according to drum diameter):
 - Installed: 85 mm (3-3/8") drum: 36 m/min (120'/min)
 - Optional: 57 mm (2-1/4") drum: 24 m/min (80'/min)

5.6.1 Noise emissions

Here are the noise emissions of the *Portable Capstan Winches*:

- Sound pressure level at operator position – L_PA (measured)
 - Engine idling: 73 dBA
 - Full throttle: 89 dBA

5.7 Manufacturer

The *Portable Capstan Winches* are manufactured by:

Portable Winch Co.

1170, Thomas-Tremblay Street

Sherbrooke, Quebec, J1G 5G5

CANADA

Phone: +1 819 563-2193

Toll free (Canada & USA): 1-888-388-PULL (7855)

Fax: +1 514 227-5196

Email: info@portablewinch.com

Web site: www.portablewinch.com