

INSTRUCTION MANUAL WAITERS/BUSBOY

SUPPLYING

Deposit/Return bill

"Deposit" and "return" e-mails track the statistics of each bar.

BEFORE THE EVENT

Initial delivery on D-2 and D-1.

DURING THE EVENT

We will delivered new cups and picked up dirty cups in the morning.

AFTER THE EVENT

Last pick up the evening or on D+1.

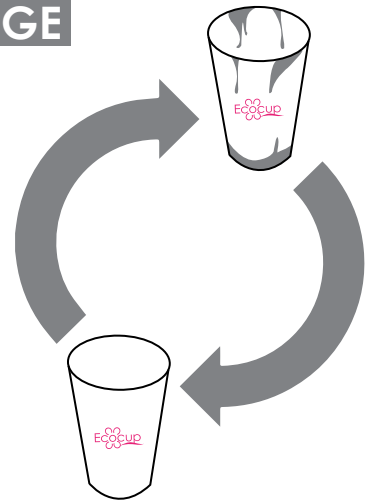
REFUND



EXCHANGE

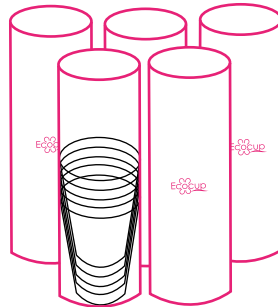
Cups used and empty can be exchange for a full and clean cup.

Broken cups are not taken back.



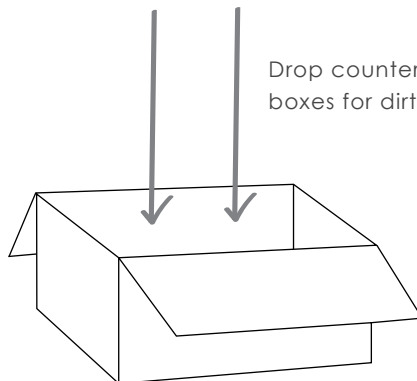
THE COUNTERS

- Stack dirty cups,
- Determine cup's quantity.



- 25 cups Eco30 (10oz)
- 20 cups Eco40 (12oz)
- 21 cups Eco50 (16oz)
- 15 cups Eco60 (20oz)

Drop counters in the bins or boxes for dirty cups.



INSTRUCTION MANUAL

THE COUNTERS



FULL ECO30 COUNTERS (10oz)



Piles of cups must be flush.

- 25 cups / column
- 125 cups / counters

FULL ECO40 COUNTERS (12oz)

Piles of cups must not be flush.

- 20 cups / column
- 100 cups / counters



FULL ECO18 COUNTERS (60oz)

Piles of cups must be flush.

- 20 cups / column
- 100 cups / counters

FULL ECO60 COUNTERS (20oz)

Piles of cups must be flush.

- 15 cups / column
- 75 cups / counters



INSTRUCTION MANUAL THE COUNTERS

FILLING BOXES (OR BINS)

Prepare the box with a trash bag
at the beginning of your shift.



Drop counters in boxes (or bins) provided.
Take the counter from the bottom and throw the cups in to the box.

Eco18

3 counters = 1 box (1 bin)

Eco30/40

4 counters = 1 box (1 bin)

Eco60

3 counters = 1 box (1 bin)

Thank you for stacking the equipment back on skids at the end of the event.
For information, a pallet can include up to 25 boxes max.

info@ecocup-canada.ca
514 799 9239

