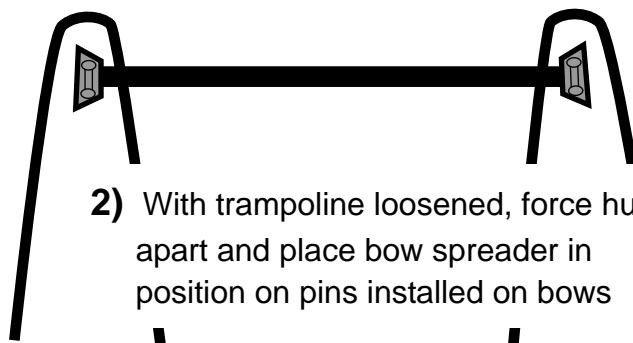
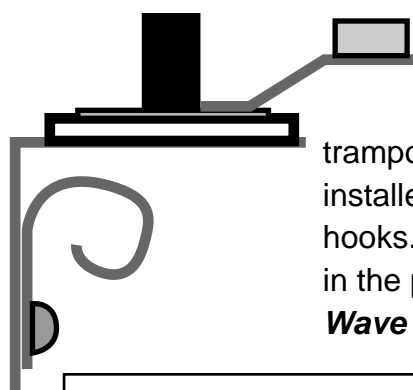


1) Install bow spreader tangs on each bow under existing bridle wire tang as shown. Pin faces towards center.

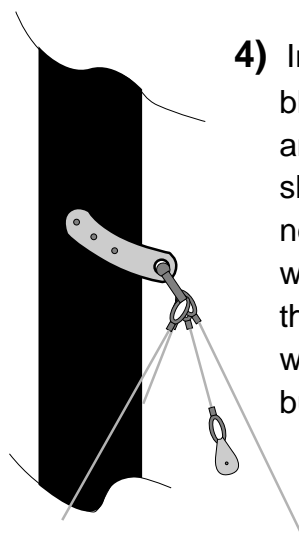


2) With trampoline loosened, force hulls apart and place bow spreader in position on pins installed on bows



3) With swivel cleat mounted to plate, install jib sheet jam cleat plate under existing trampoline hook* as shown. This is installed under center of three tramp hooks. Use the upper two of four holes in the plate. (**For installation on Club Wave see page two...*)

NOTE: Some very early model boats will require installation of an inspection port to access nuts on inside of hull behind the tramp hook. Some model years have a threaded insert imbedded in hull. Boats with inserts will be identified by two small plugs at same location on opposite side of each hull from center tramp hook. Latest versions (2005) use sheet metal screws that don't require nuts or inserts.



4) Install jib halyard block on pig tail and place pigtail on shroud shackle next to forestay wire and between the two shroud wires. It is a tight fit but works great.

- 5) Install Jib halyard cleat. Loosen downhaul cleat and slide down luff track in mast. Place new cleat above and tighten in place of downhaul cleat. Tighten original cleat at lower location. Use lower cleat for jib halyard cleat.
- 6) Run halyard through halyard block and tie off ends at lower cleat. Install halyard shackle. Step mast.
- 7) Clip jib tack to spreader pole eye strap at center of pole. Attach jib hank to forestay. Shackle halyard to jib head and hoist. *Tension lightly* and cleat to lower cleat in luff track.
- 8) Tie one end of jib sheet to jib clew. Run sheet aft to (inside of shroud wire) to swivel jam thru dead eye first then out jaws towards center of boat. Pass line across trampoline to other swivel cleat. Run line thru jaws first then dead eye. Run line forward (inside shroud) to jib clew and tie off.

Club Wave Installation instructions

Jib Cleat mounting plate

Due to the different trampoline arrangement on the Club Wave, there are a few differences in the installation of the jib cleat mounting plate. The difference is that the trampoline is mounted in a track on the Club and the "tramp mounting hook" found on the standard Wave is not attached to the hull.

The mounting plate will be installed behind/underneath the trampoline track. This will require loosening a number of the tramp track mounting screws to allow the plate to be inserted under the track. The plate will be attached to the location as noted in the diagram below. You will use the lower two of the four holes in the plate to place the swivel cleat above the tramp track level.

Notes: The access holes are not drilled through the tracks on boats built prior to May 15th '96. Refer to drilling information below in that case.

Instructions:

- 1) Loosen tramp track screws 6 through 13 approximately 6 turns each (do not remove the screws as there is a plate on the inside of the hull that may become misaligned).
- 2) Insert the mounting plate behind the tramp track.
- 3) Remove and or Install the plate mounting screws (2) and tighten.
- 4) Re-tighten the trampoline track screws.

Continue with installation on page one.

For boats without the insert access holes pre-drilled in the tramp tracks... Loosen track screws as above. Wedge track away from hull to drill two 1/2" access holes through tramp track. These larger holes will enable you to access insert holes (2).

