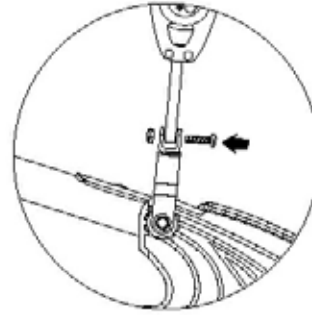


# Introducing the New Hobie Easy Lock Rudder System

The Hobie Rudder Housing has been completely redesigned to increase ease of use. Precision manufactured of engineering-grade fiberglass reinforced nylon, the Housing is virtually maintenance free and will never rust or corrode.

## Assembly

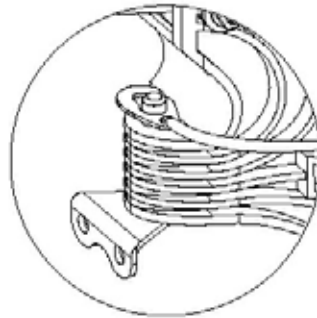
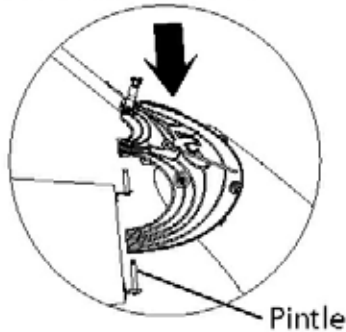
Attach the mainsheet system to the Rudder Housing: remove the nut and bolt from the end of the mainsheet attachment bracket. Line up the holes in the end of the mainsheet system post with the holes in the bracket. Fit the bolt through the holes and tighten enough to engage the Nylon locking threads in the nut.



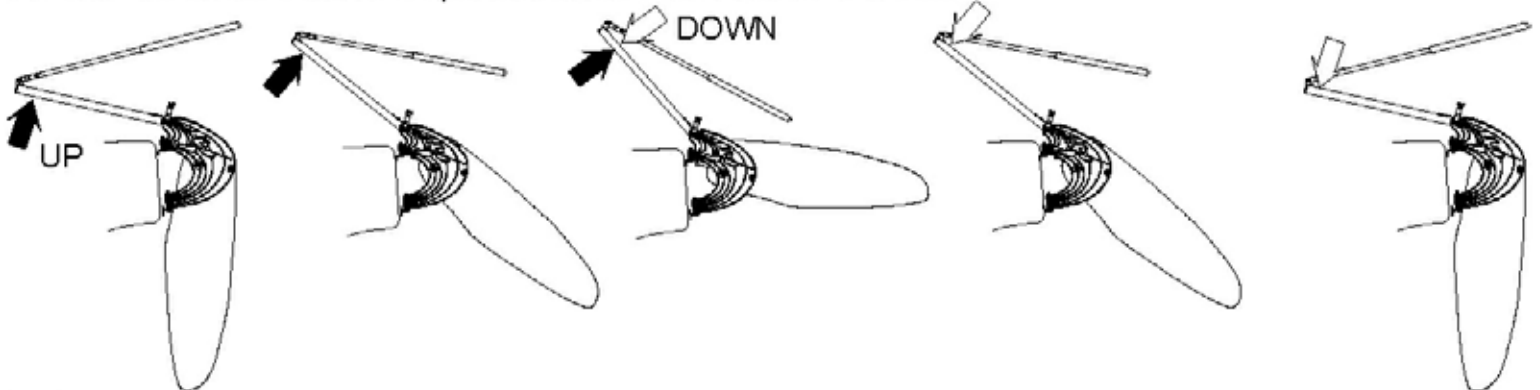
## Install On Your Boat

Place the rudder assembly on the boat pintles. **Note:** The housing may only be installed or removed from the boat pintles when the rudder blade is *in-between the upper and lower positions*. This is an additional safety feature to keep the rudder on the boat in case of capsizes.

Secure the housing to the pintles by placing the keeper over the upper pintle. Make sure that it is completely engaged in the slot.



This new design has a simplified and more intuitive function: to raise the rudder, raise the tiller; to lower the rudder, lower the tiller. The rudder automatically locks into either position and is held by spring-loaded detents. The rudder will kick-up if beached or if an obstruction is hit.

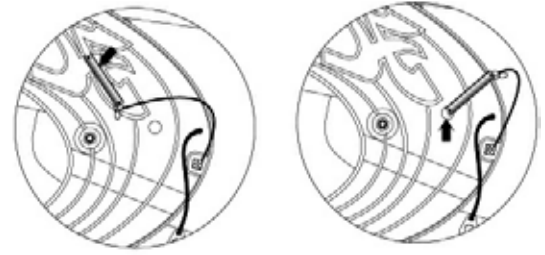


## Up-keep and Precautions

- When in use, make sure that the rudder is locked in the down position. You will know if your rudder isn't down all the way if steering feels heavy.
- If used in saltwater, it is always a good idea to rinse rudder assembly with fresh water.
- If the boat is stored outdoors for extended periods of time without being used, remove the rudder assembly and store it indoors.
- Avoid storing the rudder assembly in extremely hot locations such as in direct sunlight in a vehicle with windows closed.

### Locking Pin

Attached to the side of each rudder is a locking pin. This pin is designed to keep your rudder in the up position during transportation. Bumpy launch ramps or steep angled beaches could cause the rudders to drop down, causing the blade to dig into the ground. To install the pin, put the rudder in the up position and simply remove the pin that is snapped to the casting and insert it through the hole in the side of the rudder. When you want to put the rudder back down, remove the pin and snap it back into the side of the casting.



### Rudder Adjustment

Your rudder assembly comes from the factory preadjusted for optimal detent pressure. This detent keeps the rudder in either the up or down position. With much use, the rudder detent pressure may need to be adjusted. To increase the amount of detent, tighten the bolts on the side of the rudder housing. It doesn't take much adjustment to make a big difference (maximum 1 full turn). If the bolt is tightened too much it will bind the rudder movement.

