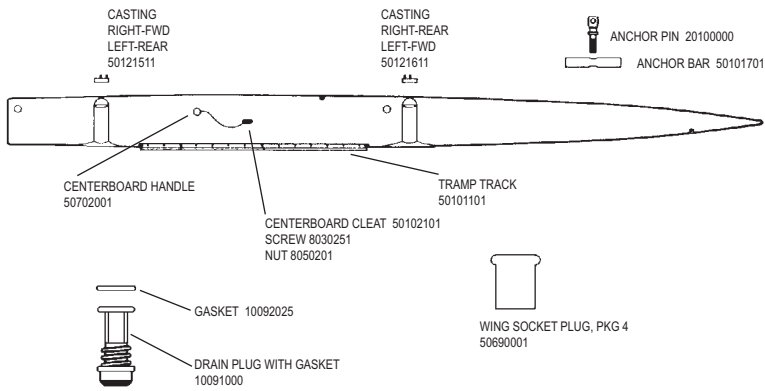
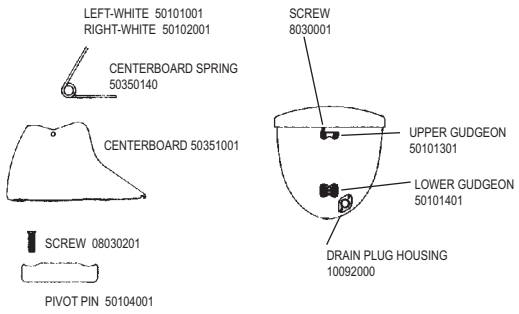


### H17 HULL/DECK

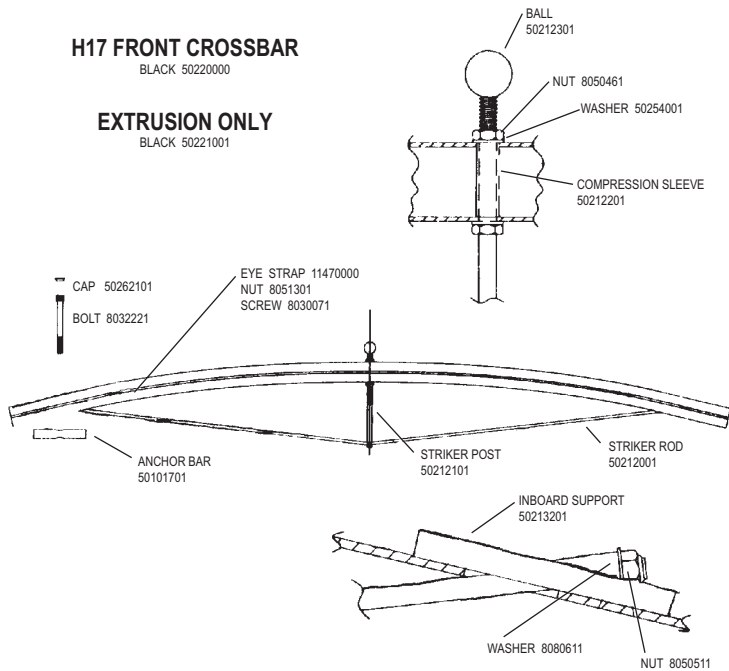


### H17 FRONT CROSSBAR

BLACK 50220000

#### EXTRUSION ONLY

BLACK 50221001

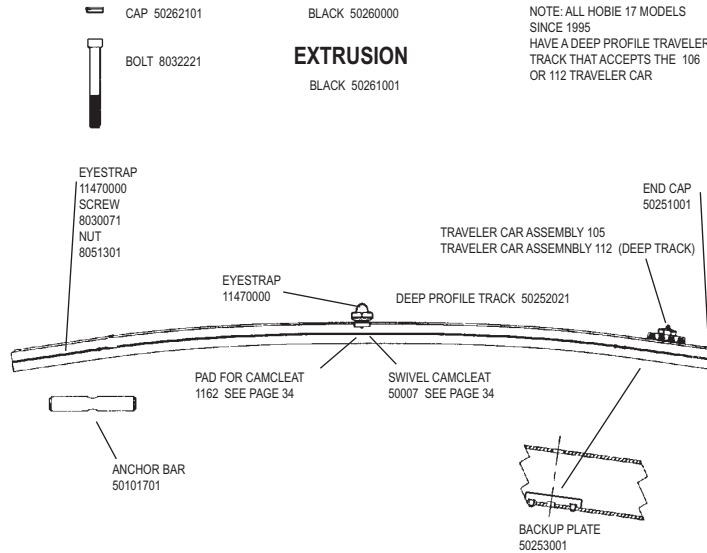


### H17 REAR CROSSBAR ASSEMBLY

#### EXTRUSION

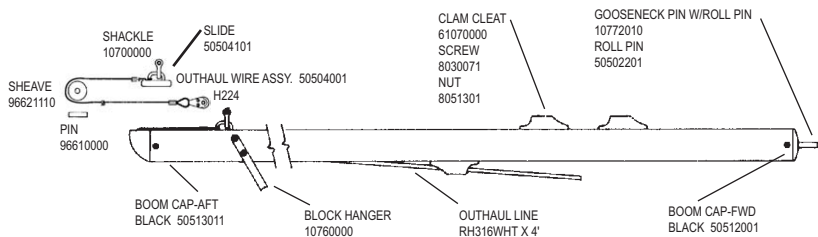
BLACK 50261001

NOTE: ALL HOBBIE 17 MODELS SINCE 1995 HAVE A DEEP PROFILE TRAVELER TRACK THAT ACCEPTS THE 106 OR 112 TRAVELER CAR



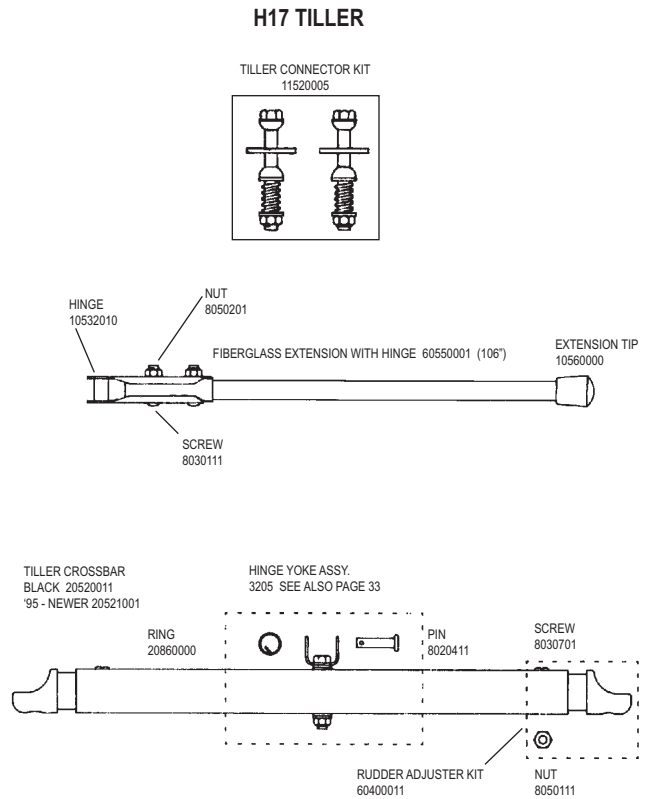
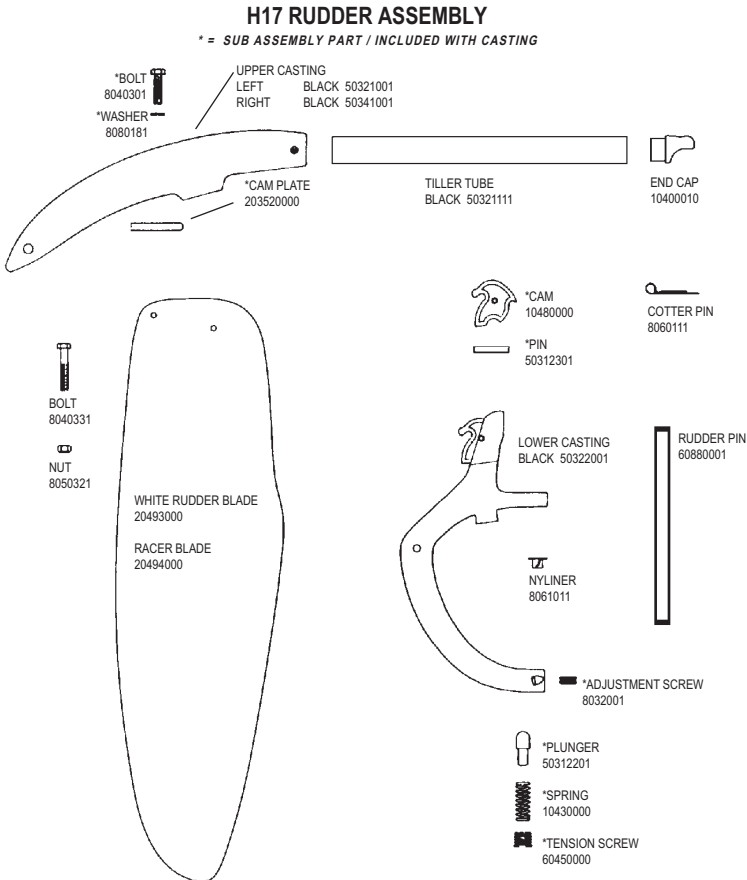
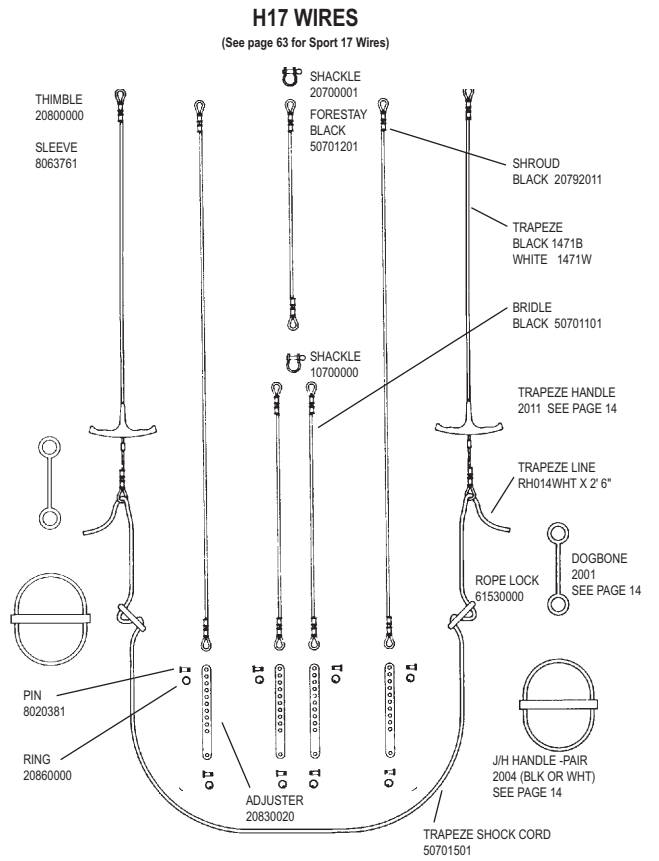
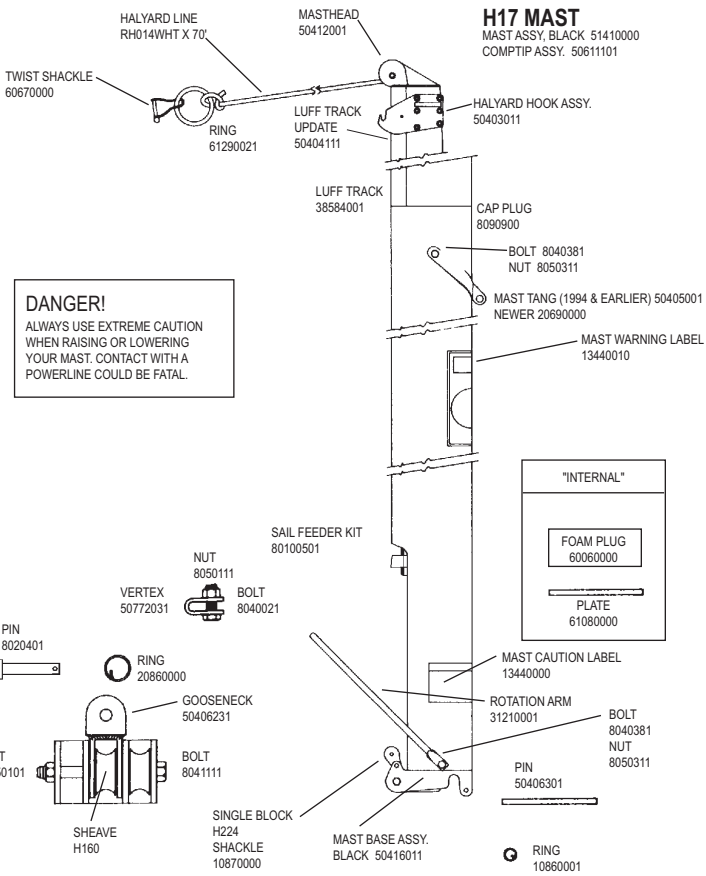
### H17 BOOM

BLACK 50510000



To order from your nearest Hobie Cat dealer  
 U.S.A. [hobiecat.com](http://hobiecat.com) 1-800-HOBIE-49  
 Australasia [hobiecat.com.au](http://hobiecat.com.au) 1-800-4-Hobie

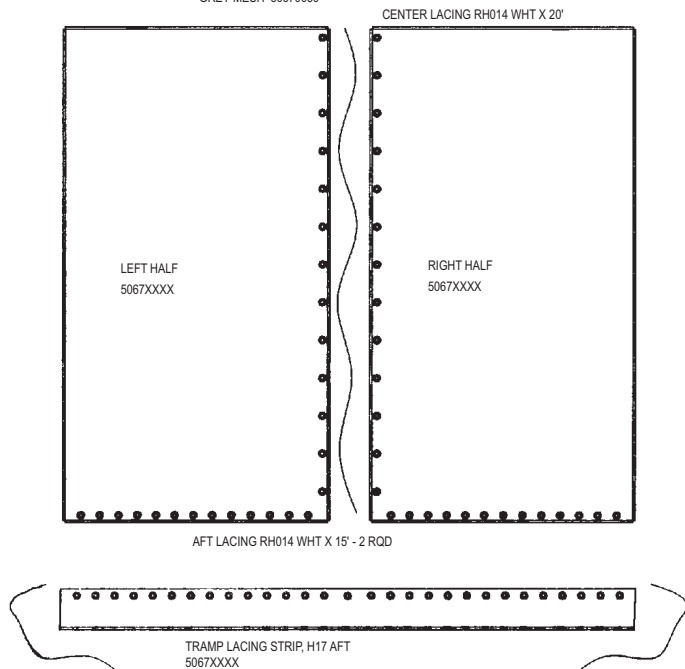




# H17 TRAMPOLINE

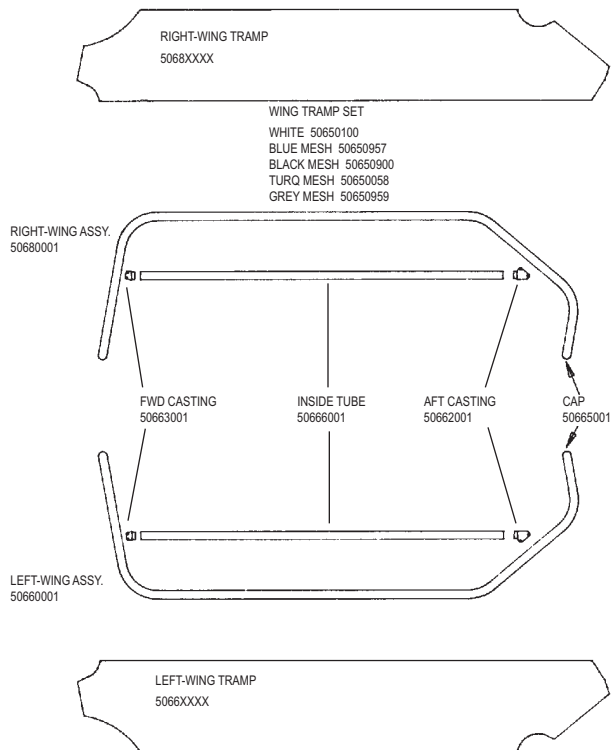
COMPLETE TRAMPOLINES (Does not include lace line)

- WHITE 50670000
- BLACK MESH 50670091
- BLUE MESH 50670057
- TURQ MESH 50670058
- GREY MESH 50670059

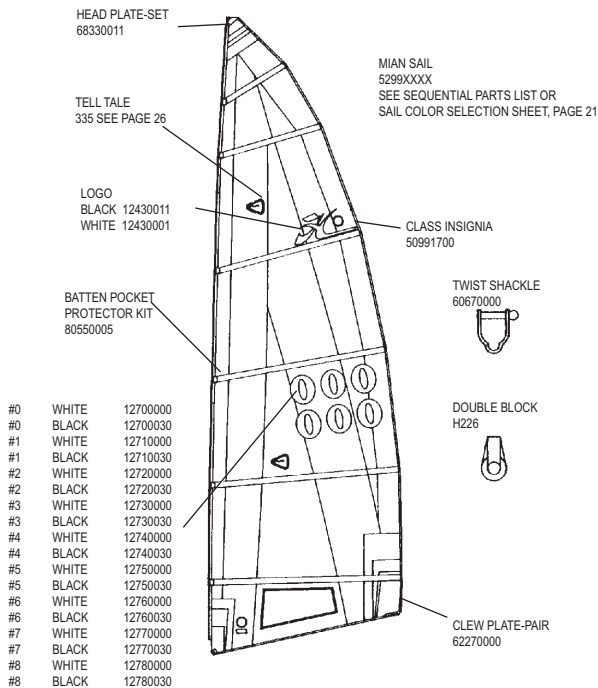


# H17 WINGS

SET W/O TRAMPOLINES 50650000



# H17 SAIL

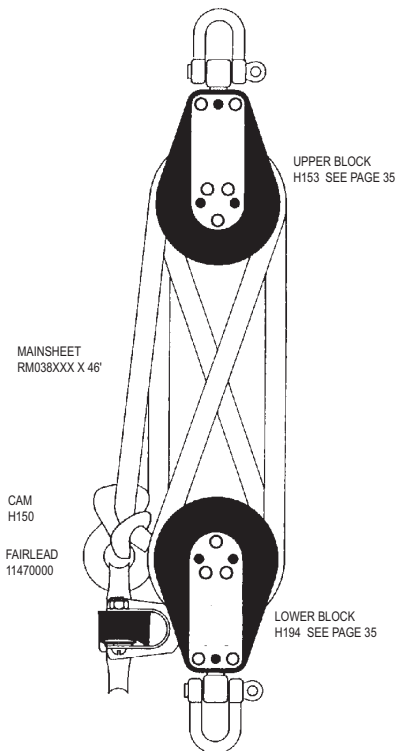


DOWNHAUL LINE  
RH316WHT X 5'

SAIL BAG  
21310000

BATTEN TIE  
RH112WHT X 18"

# H17 BLOCK SET



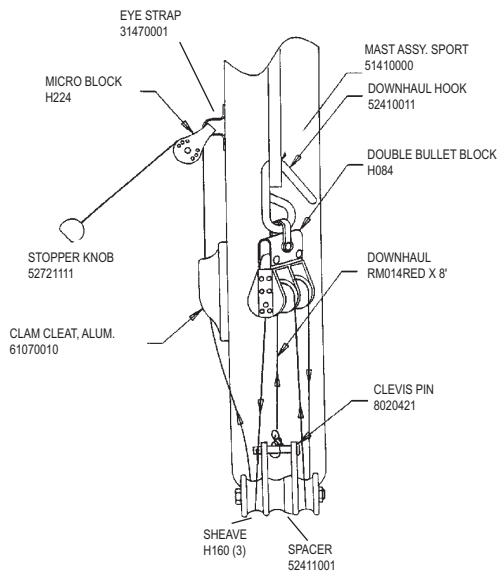
## H17 Rivet Guide

( ) indicates quantity needed to fasten part

<b>Mast</b>	
Head	8010131 (2)
Halyard Hook	8011231 (3)
Base	8010131 (2)
<b>Rear Crossbar</b>	
Swivel Jammer	8010201 (1)
	8031501 (2)
	8031231 (2)
	8080011 (1)
	8050801 (1)
Dead Eye	8010181 (4)
Back Up Plate	8010201 (4)
Track	8010201 (44)
<b>Hull</b>	
Trampoline Track	8010121 (9)
(backup washers required on above, 61360000)	
<b>Boom</b>	
End Cap (gooseneck)	8010131 (2)
Block Hanger	8010181 (4)
End Cap	8010131 (2)
<b>Rudder (Upper Casting)</b>	
Casting	8011231 (4)
End Cap	8010131 (2)
<b>Sail Hardware</b>	
Headboard	8010020 (16)
Main Clew Plate	8010020 (10)
Batten Pocket	8010020 (4)
Jib Clew Plate	8010020 (6)
(above rivets require setting machine which is not available in a hand tool)	
<b>Wing</b>	
End Cap	8010051 (1)
Castings	8010131 (8)
<b>Forward Cross Bar - Sport</b>	
Swivel Cam Cleats	8010131 (4)

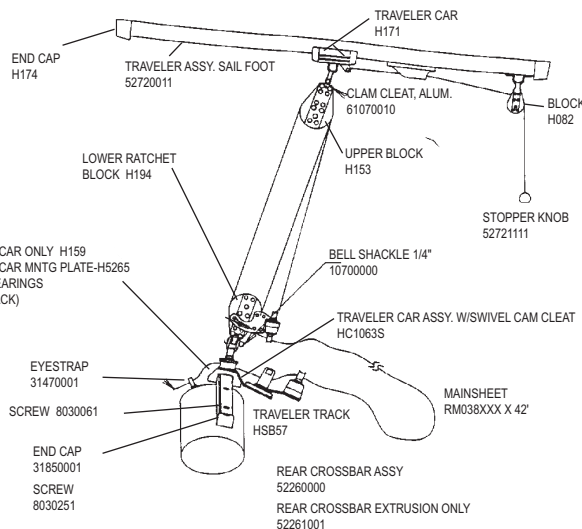


### H17 SPORT MAST ASSY. & DOWNHAUL

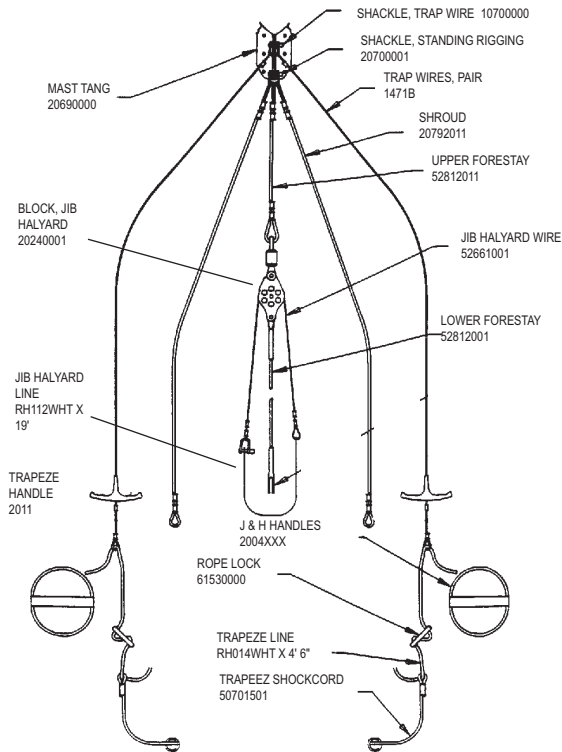


NOTE: WHERE A SPECIFIC ITEM IS NOT IDENTIFIED, USE THE STANDARD HOBBIE 17 LINE DRAWINGS.

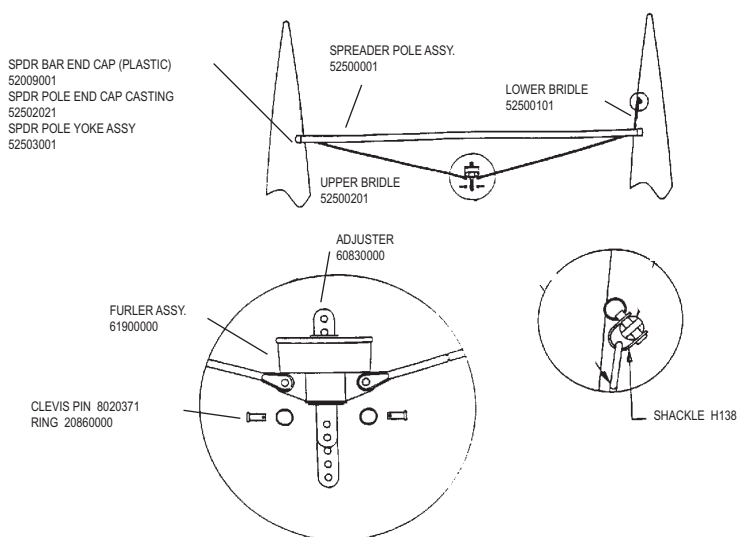
### H17 SPORT REAR CROSSBAR, MAINSHEET SYSTEM AND OUTHAUL SYSTEM-1994 AND EARLIER



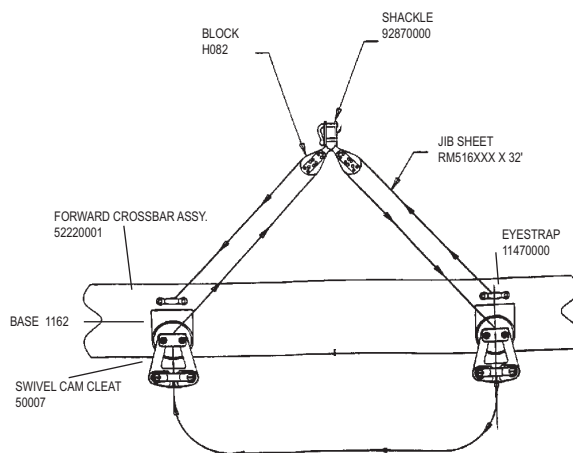
### H17 SPORT STANDARD RIGGING



### H17 SPORT SPREADER POLE & FURLER



### H17 SPORT FRONT CROSSBAR



### BATTENS



'94/OLDER SPORT	NEWER SPORT/SE
BATTEN #6 36 1/2"	BATTEN #6 36 1/2"
BATTEN #5 51 3/4"	BATTEN #5 51 3/4"
BATTEN #4 74"	BATTEN #4 74"
BATTEN #3 85 1/8"	BATTEN #3 86 1/4"
BATTEN #2 90 5/8"	BATTEN #2 93 1/4"
BATTEN #1 89"	BATTEN #1 94 3/4"

(FOR INDIVIDUAL BATTENS SEE UNIVERSAL BATTENS ON PAGE 25)